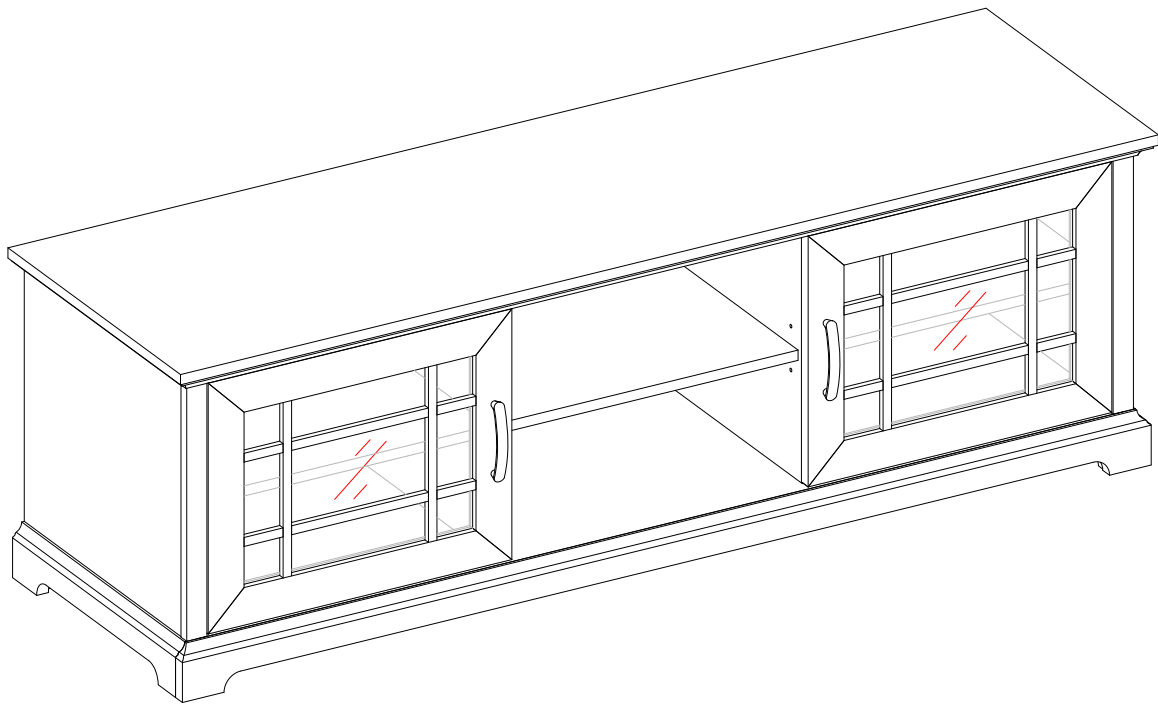




LOT NUMBER: \_\_\_\_\_  
DATE PURCHASED: \_\_/\_\_/\_\_

# TV Console

## Model # AVCLEC60-DB



### **ADULT ASSEMBLY REQUIRED**

If you have any questions regarding assembly or if parts are missing, **DO NOT** return this item to the store where it was purchased. Please call our toll-free customer service number and have your instructions and parts list ready to provide the model name, part name or factory number:

1-866-942-5362

Pacific Standard Time: 8:30 a.m. - 4:30 p.m., Monday to Friday

Or visit our website 24 hours a day, 7 days a week for product assistance at

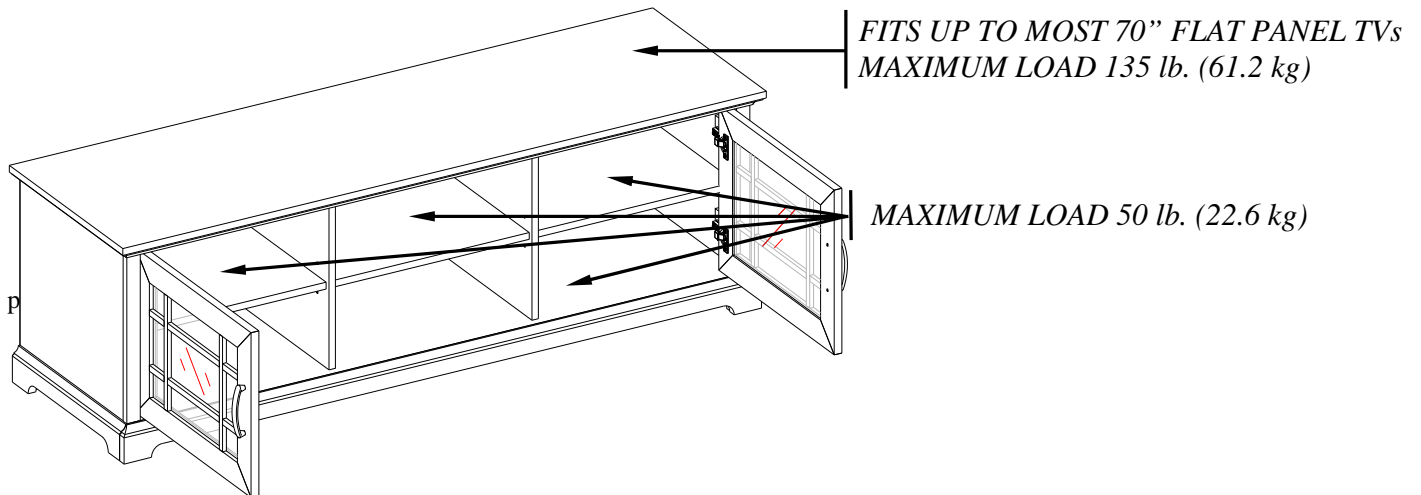
**[www.whalenfurniture.com](http://www.whalenfurniture.com)**

Or e-mail your request to **[parts@whalenfurniture.com](mailto:parts@whalenfurniture.com)**

**THIS INSTRUCTION BOOKLET CONTAINS IMPORTANT SAFETY INFORMATION.  
PLEASE READ AND KEEP FOR FUTURE REFERENCE.**

## MAXIMUM RECOMMENDED WEIGHT LOADS

MANUFACTURER: Whalen Furniture Manufacturing  
 CATALOG: TV Console (AVCLEC60-DB)  
 DATE OF MANUFACTURE: October 2014  
 MADE IN CHINA



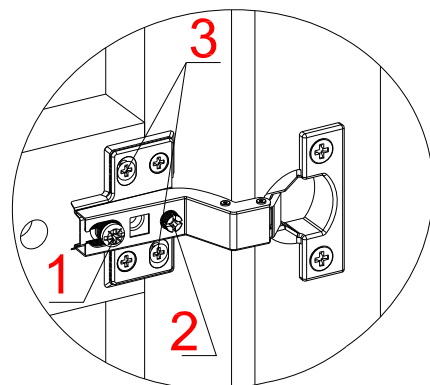
### **WARNING**

THIS UNIT IS NOT INTENDED FOR USE WITH CRT TVS. USE ONLY WITH FLAT PANEL TVS AND AUDIO/VIDEO EQUIPMENT MEETING RECOMMENDED SIZE AND WEIGHT LIMITS. NEVER USE WITH LARGER/HEAVIER THAN RECOMMENDED FLAT PANEL TVS OR EQUIPMENT. TO AVOID INSTABILITY, PLACE FLAT PANEL TV IN THE CENTRE OF THE UNIT; THE BASE OF THE TELEVISION MUST BE ABLE TO REST ON THE SUPPORTING SURFACE OF THE UNIT WITHOUT OVER-HANGING THE EDGES. IMPROPERLY POSITIONED FLAT PANEL TVS, OR FLAT PANEL TVS OR OTHER EQUIPMENT THAT EXCEED RECOMMENDED SIZE AND WEIGHT LIMITS COULD FALL OFF OR BREAK THE UNIT, CAUSING POSSIBLE SERIOUS INJURY.

### How to adjust the European adjustable hinges on doors

Shipping may cause doors to go out of alignment. If you find that the doors need to be adjusted slightly, turn the appropriate screw, as illustrated.

1. TO ADJUST DOOR FORWARD OR BACKWARD.
2. TO ADJUST DOOR TO RIGHT OR TO LEFT.
3. TO ADJUST DOOR UP OR DOWN.



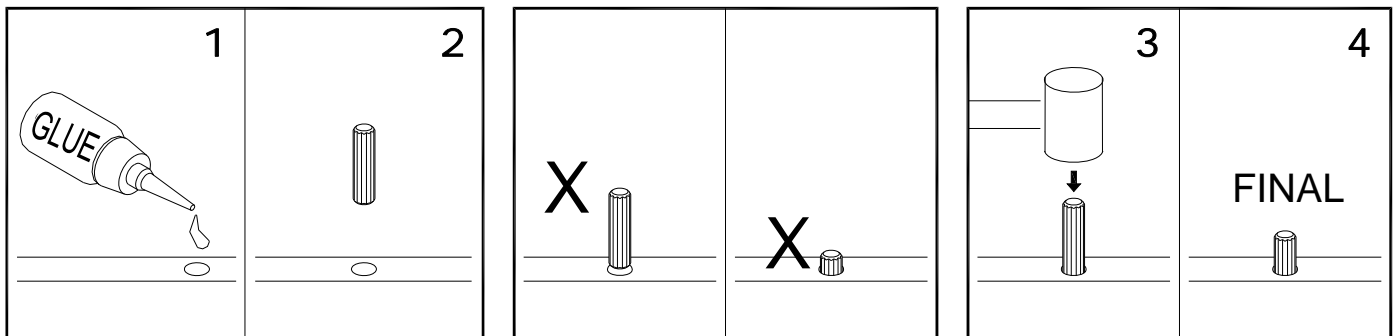
Please call for replacement parts or assistance: **1-866-942-5362**  
 Whalen Furniture Manufacturing

## Important

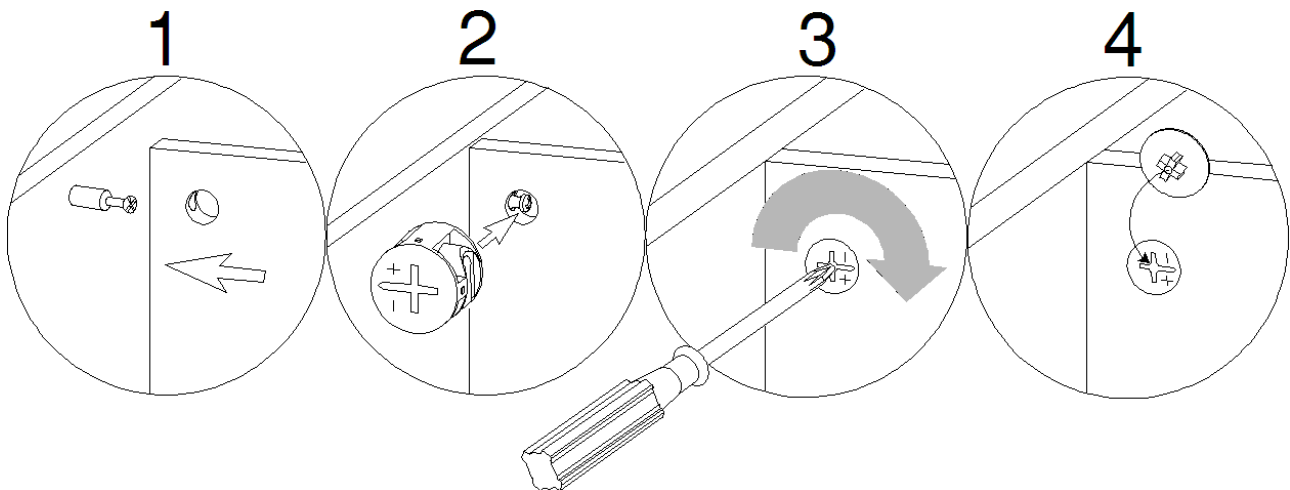
**Before you begin:** Open, identify and count all parts prior to assembly. Lay out parts on a flat and non-abrasive surface. You will need the parts identified on page 4 and 5 of this instruction manual.

**NOTE:** IT IS VERY IMPORTANT TO USE GLUE WITH DOWELS. EXCESS GLUE CAN BE WIPED OFF WITH DAMP CLOTH.

Insert Dowel at least half way by tapping lightly with a rubber mallet, IF NECESSARY.



## CAM LOCK SYSTEM OPERATION



### HOW THE KNOCK DOWN (KD) ASSEMBLY SYSTEM WORKS

1. Screw the Cam Bolt into the threaded inserts on the panel. Connect both panels together; making sure Cam Bolt goes into the pre-drilled hole on the end of panel for Cam Lock.
2. Insert the Cam Lock into the pre-drilled large hole on the panel. Make sure the arrow on the face of Cam Lock faces out and points towards Cam Bolt.
3. Take a Phillips screwdriver and rotate the Cam Lock clockwise to lock the Cam Bolt in place.
4. Plug the Cam Lock Cover into the cross slot of the Cam Lock to conceal the Cam.

You are now ready to assemble the KD unit.

Please call for replacement parts or assistance: **1-866-942-5362**

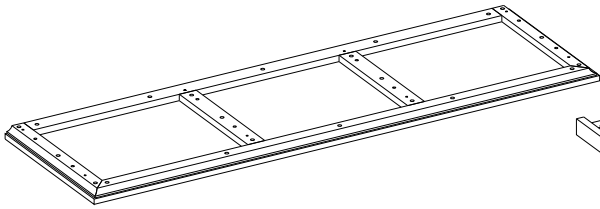
Whalen Furniture Manufacturing

Page 3

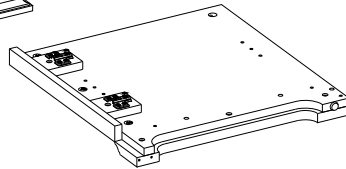
Factory No. 16086

### Parts and Hardware List

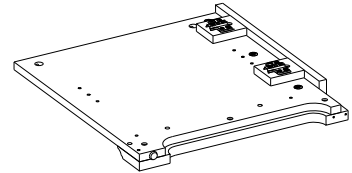
Please read completely through the instructions and verify that all listed parts and hardware are present before beginning assembly.



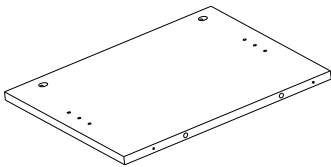
A- Top Panel (1)



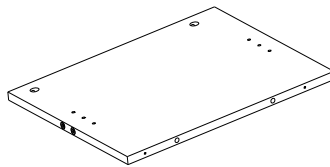
B- Left Side Frame (1)



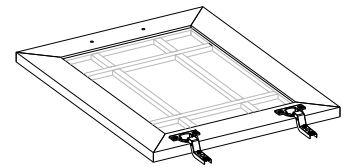
C- Right Side Frame (1)



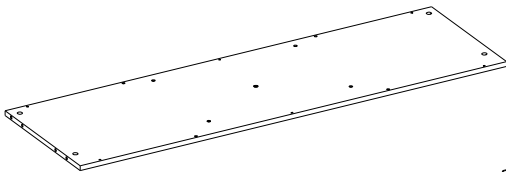
D- Left Partition Panel (1)



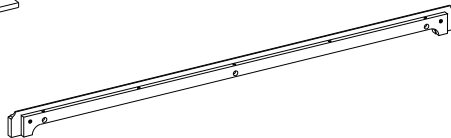
E- Right Partition Panel (1)



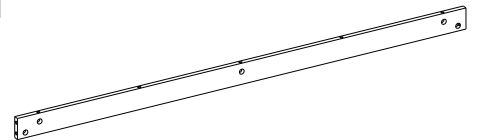
F- Door (2)



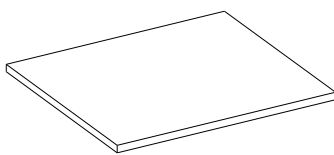
G- Bottom Shelf (1)



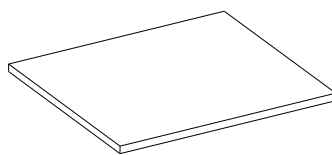
H- Bottom Front Molding (1)



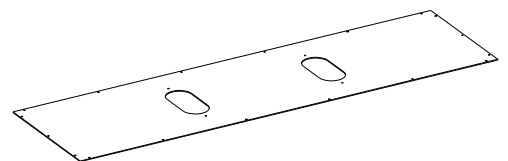
I- Bottom Back Stretcher (1)



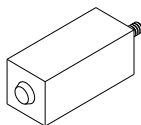
J- Small Adjustable Shelf (2)



K- Large Adjustable Shelf (1)



L- Back Panel (1)



M- Center Support w/Leveler (1)



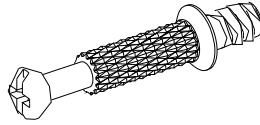
N- Cable Wheel (2)

**Parts and Hardware List**

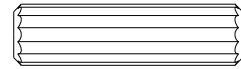
Please read completely through the instructions and verify that all listed parts and hardware are present before beginning assembly.



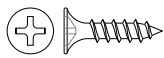
(1) Cam Lock  
(20+1 extra)



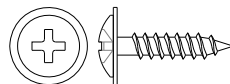
(2) Cam Bolt  
(20+1 extra)



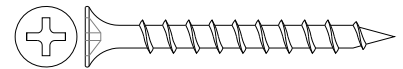
(3) M8 x 30 mm Wood Dowel  
(22+1 extra)



(4) M3 x 12 mm Screw  
(8+1 extra)



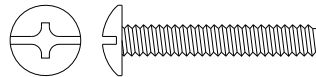
(5) M3.5 x 16 mm Washer Head Screw  
(22+1 extra)



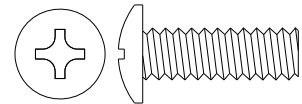
(6) M4 x 40 mm Wood Screw  
(4+1 extra)



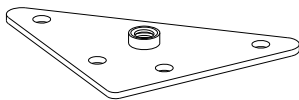
(7) Handle  
(2)



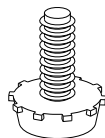
(8) Handle Bolt  
(4+1 extra)



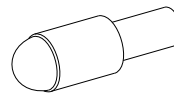
(9) Ø1/4" x 3/4" Bolt  
(4+1 extra)



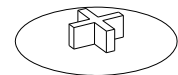
(10) Metal Bracket  
(2)



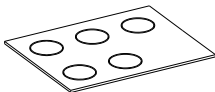
(11) Floor Leveler  
(2)



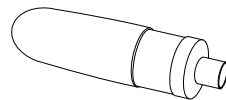
(12) Shelf Pin  
(12+1 extra)



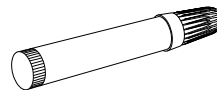
(13) Cam Lock Cover  
(14+1 extra)



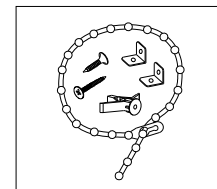
(14) Rubber Pad  
(4+1 extra)



Glue  
(1)



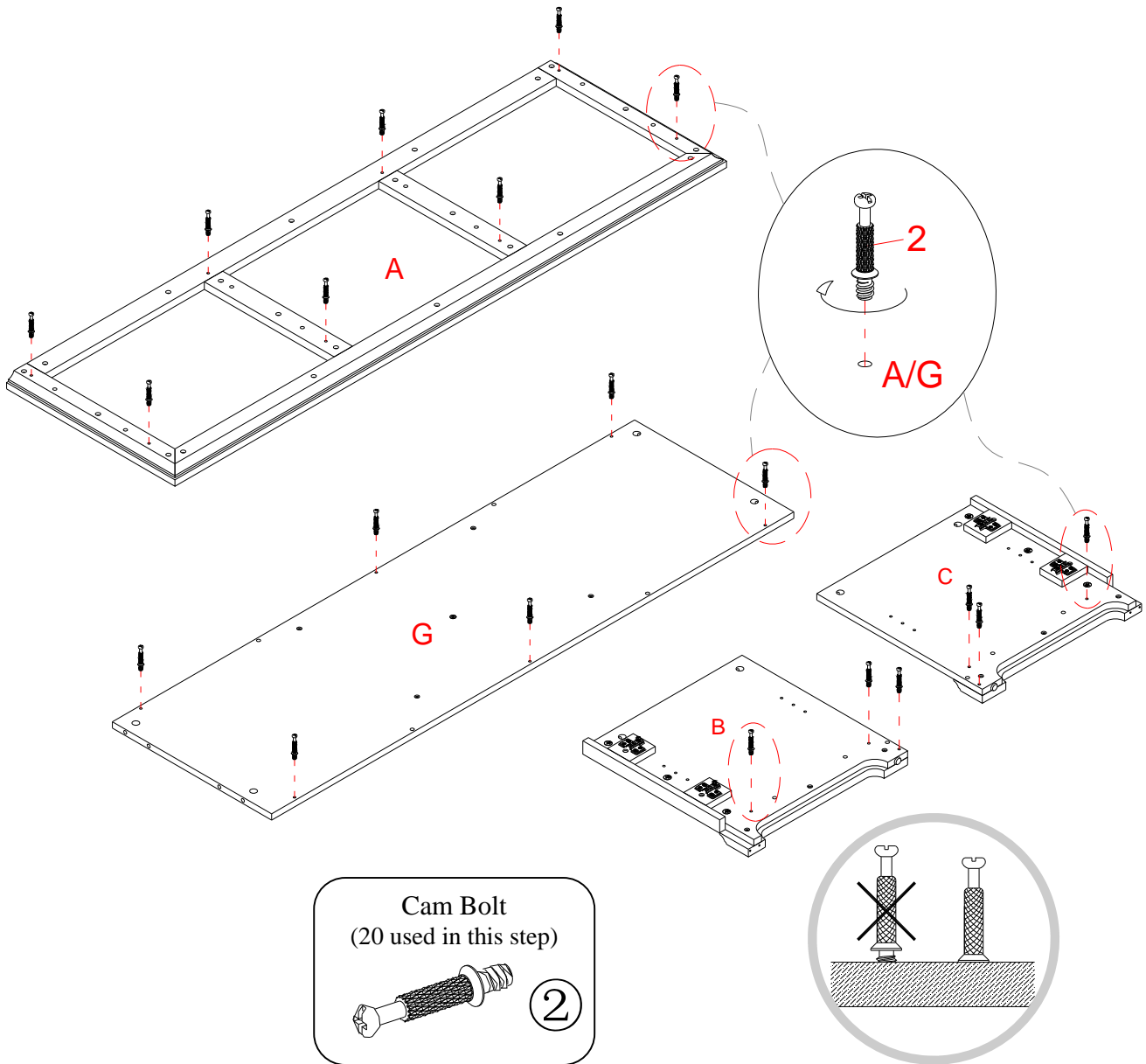
Touch-up Pen  
(1)



Tipping Restraint Hardware Kit (2)  
**(Included in plastic bag)**

**Tools required: Phillips screwdriver and Hammer (not provided).**

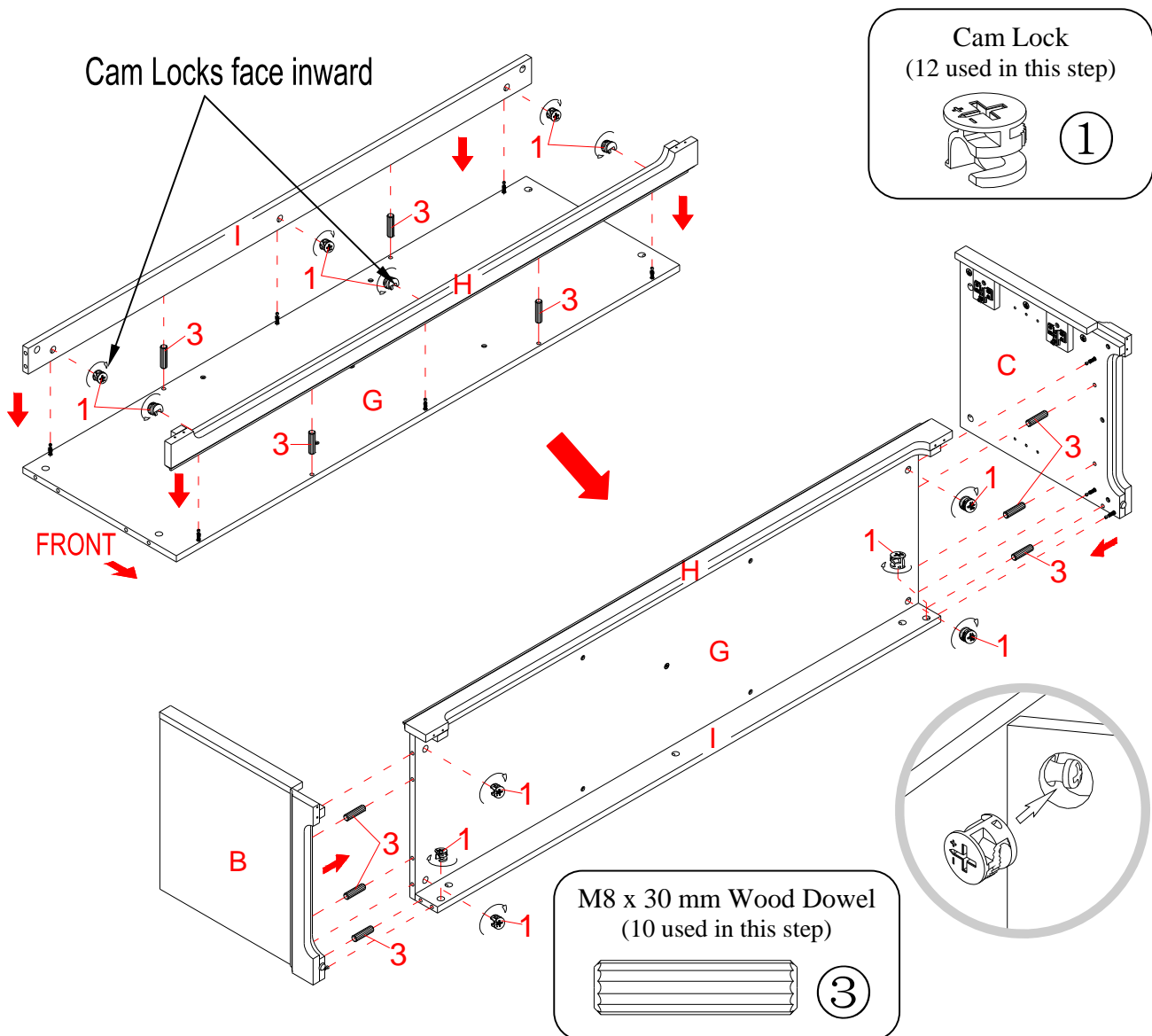
## Assembly Instructions



1. Unpack the unit and confirm that you have all the hardware and required parts. Assemble the unit on a carpeted floor or the empty carton to avoid any scratch.
2. Securely screw the Cam Bolts (2) into the designated small holes on the Top Panel (A), Left and Right Side Frames (B and C), and the Bottom Panel (G) with a Phillips screwdriver, as shown in the illustration.

**NOTE:** Screw-in cam bolts must be screwed down flush.

## Assembly Instructions



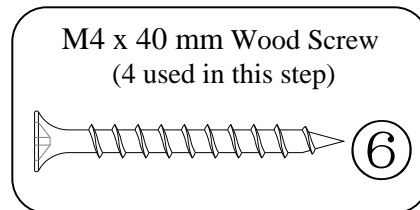
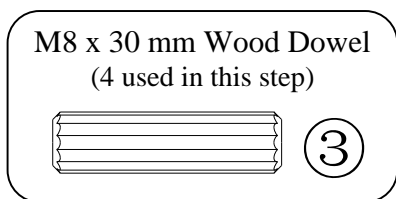
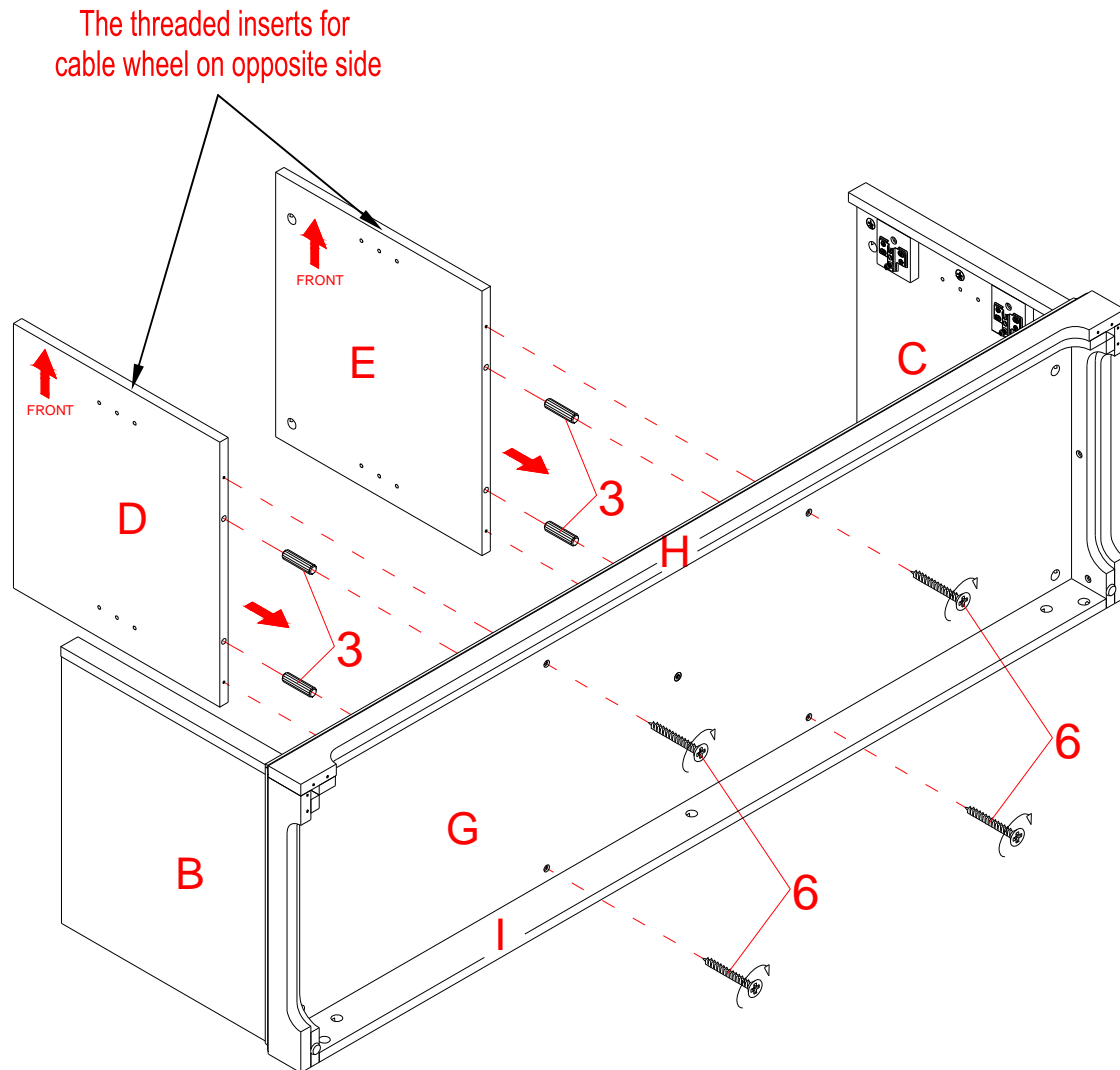
3. Insert two Wood Dowels (3) into the inner end holes on the Bottom Front Molding (H) and attach it to the front edge of Bottom Panel (G) by engaging three Cam Locks (1) (Refer to page 3 on Cam Lock system operation supplement). As shown. Make sure that you use a small amount of glue with both ends of all dowels.

**NOTE:** It is very important to use a small amount of glue on both ends of dowels.

4. Align and attach the Bottom Back Stretcher (I) to the Bottom Panel (G) by using two Wood Dowels (3) and three Cam Locks (1). Make sure that the cam locks face inward. As shown.
5. Insert three Wood Dowels (3) into the left end holes of Bottom Panel (G) and Bottom Back Stretcher (I). **DO NOT** put dowels into the Cam Bolt holes. Align and attach Left Side Frame (B) to the assembled base by engaging three Cam Locks (1). As shown.
6. Repeat the same process to attach the Right Side Frame (C) at the opposite end.

Please call for replacement parts or assistance: **1-866-942-5362**

## Assembly Instructions

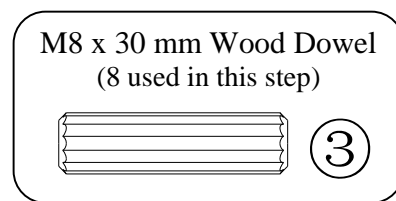
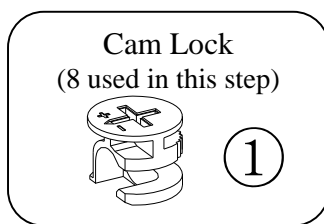
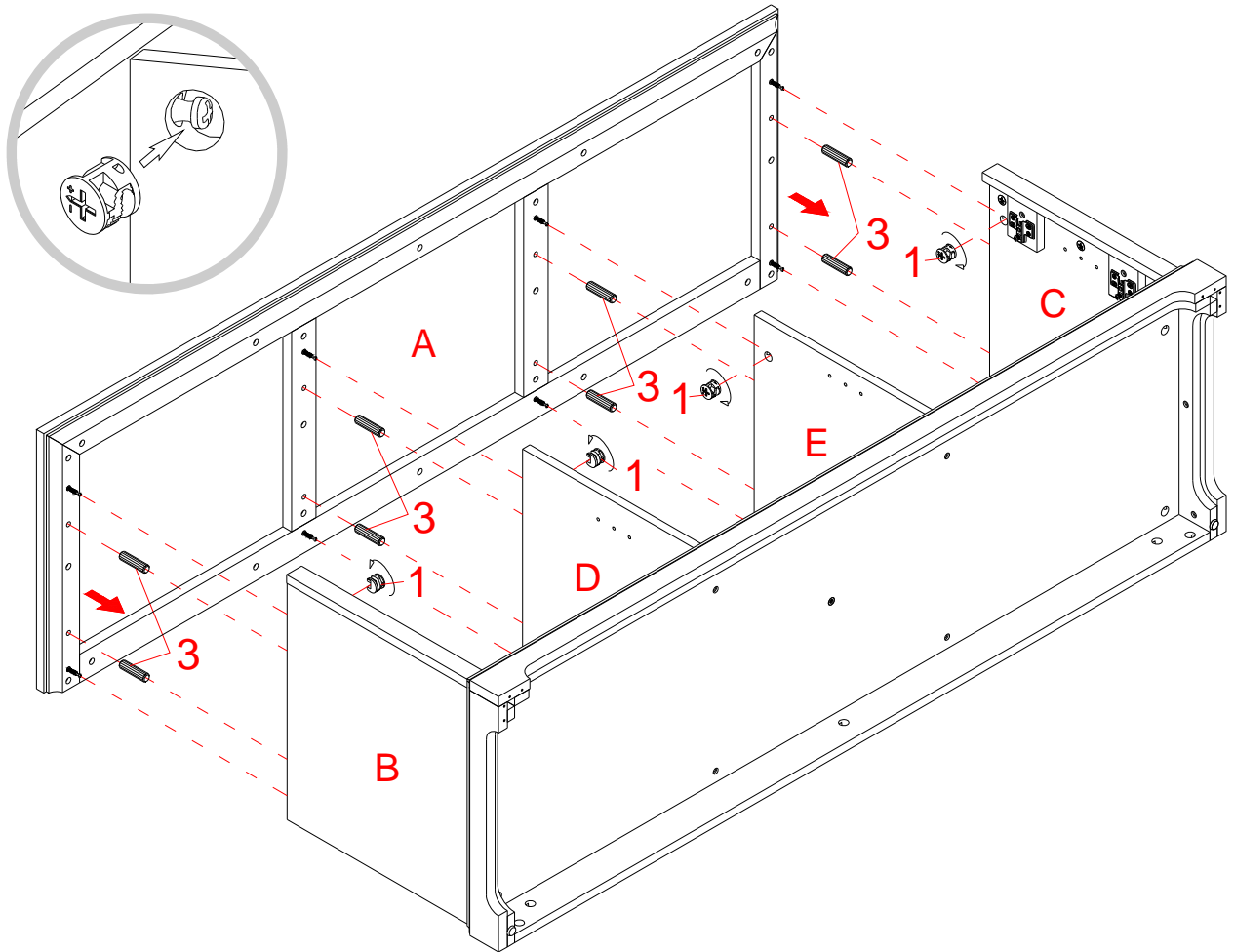


7. Insert two Wood Dowels (3) into the inner holes on the bottom edge of each Partition Panel (D and E) and fasten them to the Bottom Panel (G) with four M4 x 40 mm Wood Screws (6), as shown. Make sure the threaded inserts for Cable Wheel on the Partition Panels (D and E) face the back of the unit.

**NOTE:** Press the Partition Panels (D and E) to the Bottom Panel (G) while tightening the screws.

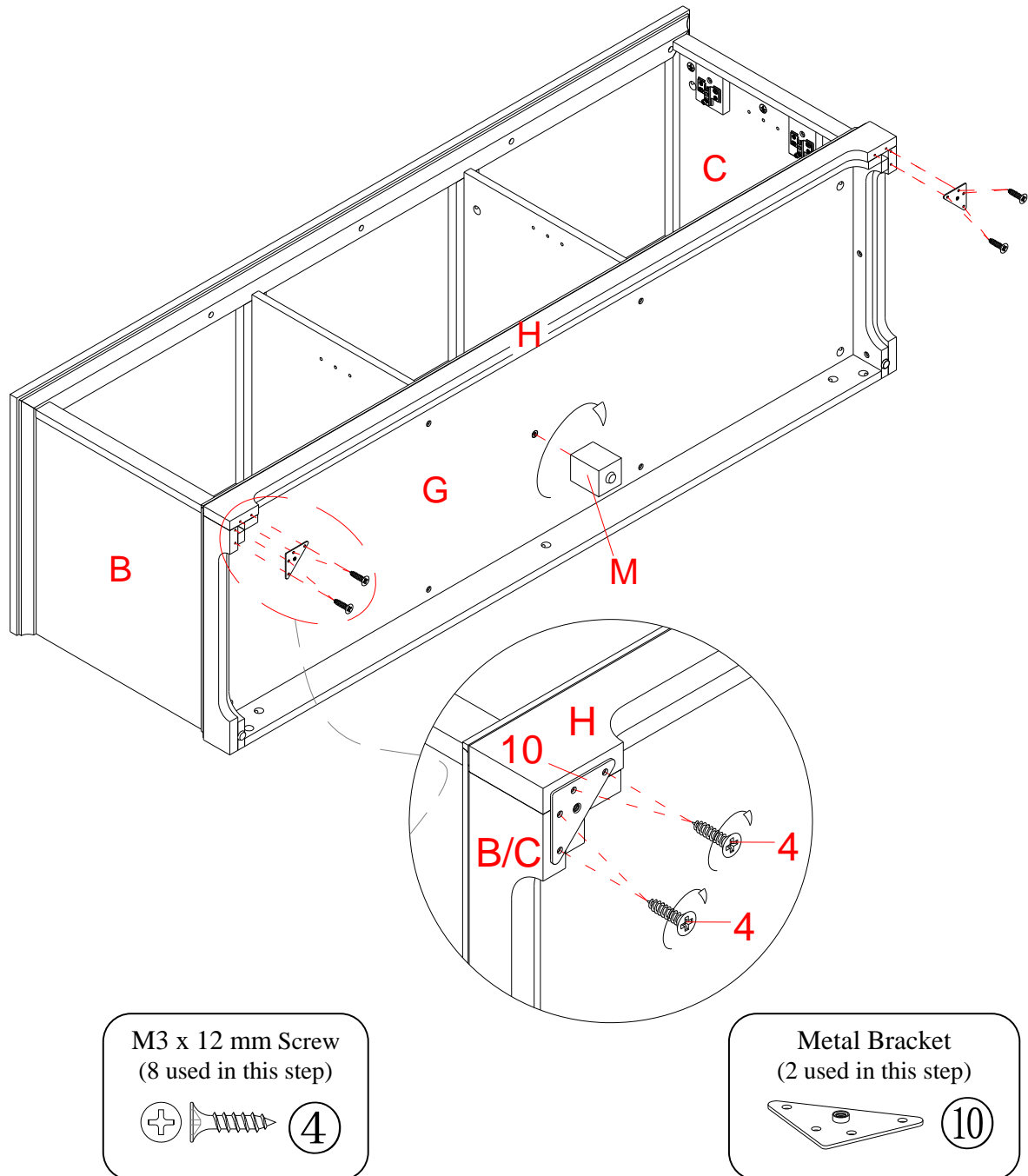


## Assembly Instructions



8. Insert eight Wood Dowels (3) into the inner holes on the top edge of Side Frames (B and C) and the Partition Panels (D and E). As shown.
9. Position the Top Panel (A) onto the inserted Wood Dowel (3) making the back edges are even with each other. Attach the Top Panel (A) in place by engaging eight Cam Locks (1). As shown.

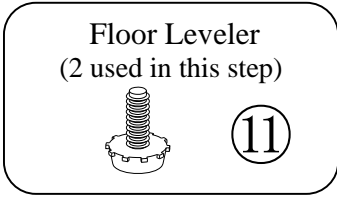
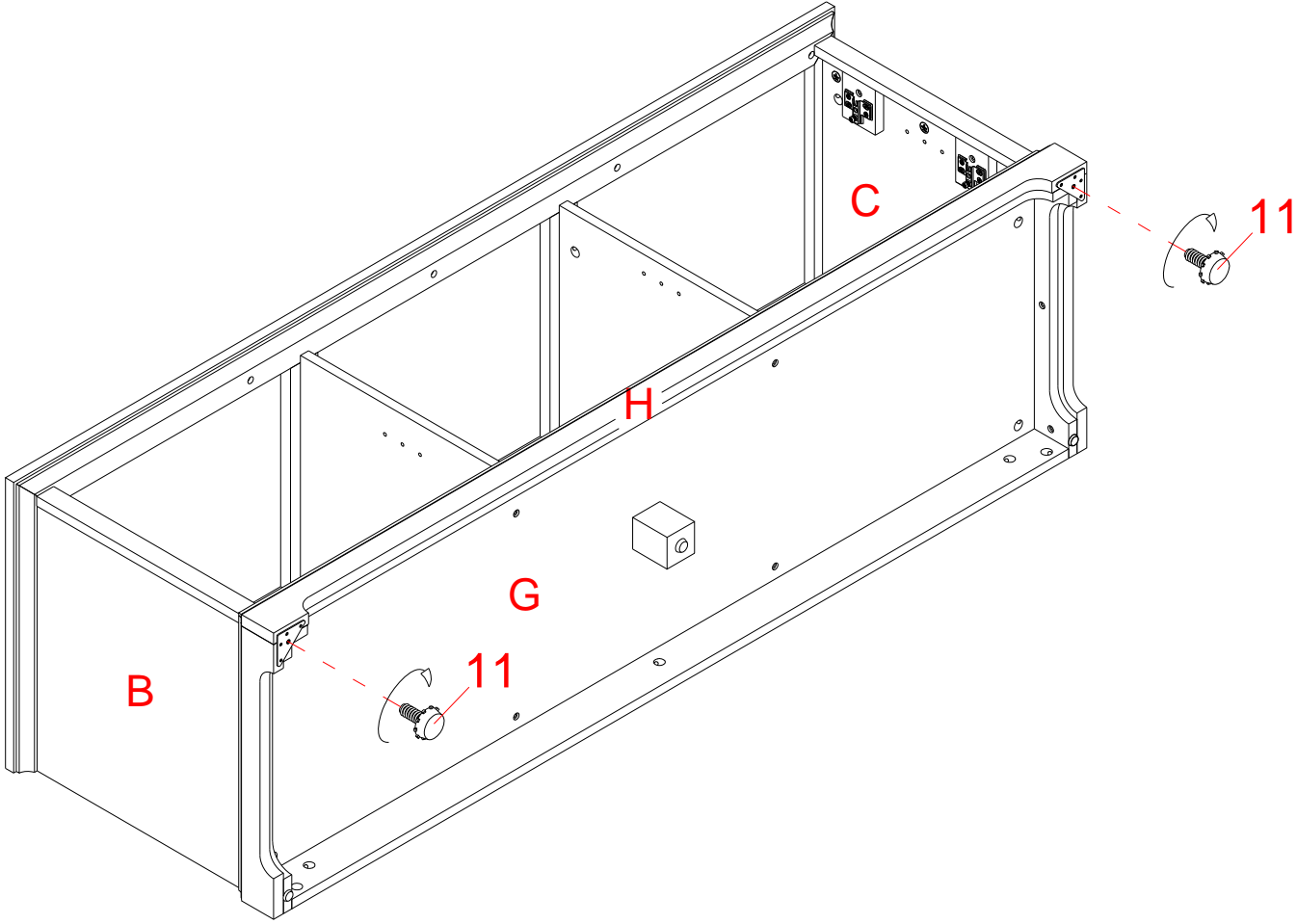
## Assembly Instructions



10. Fasten two Metal Brackets (10) to connect the Bottom Front Molding (H) with both Side Frames (B and C), using four M3 x 12 mm Screws (4) per bracket. As shown.

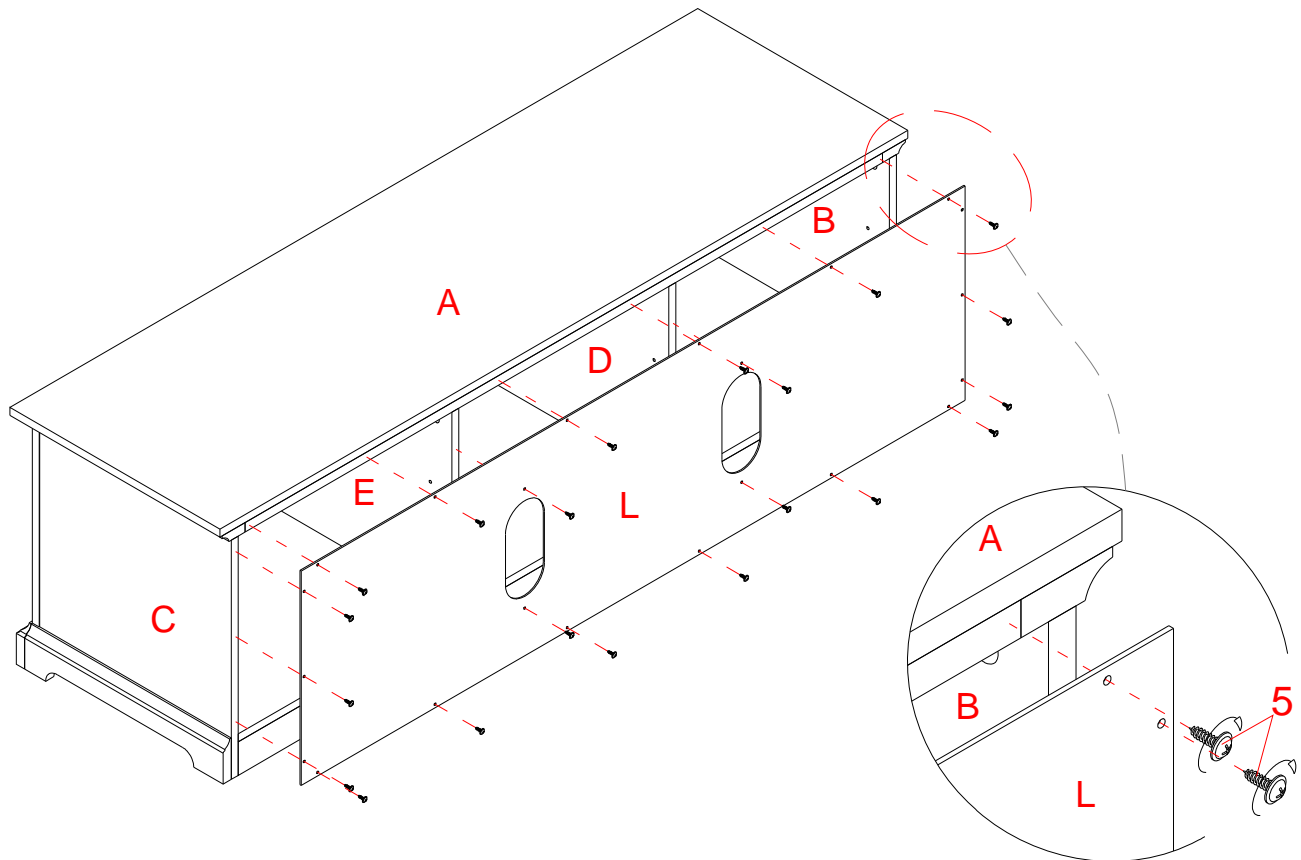
11. Tightly screw the Central Support (M) into the threaded insert on the Bottom Panel (G) and set the attached floor leveler to correct height.

# Assembly Instructions

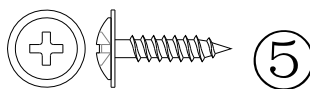


12. Securely screw the Floor Levelers (11) into the threaded holes on the Metal Brackets (10) and set the Floor Levelers (11) to the correct height. As shown.

## Assembly Instructions



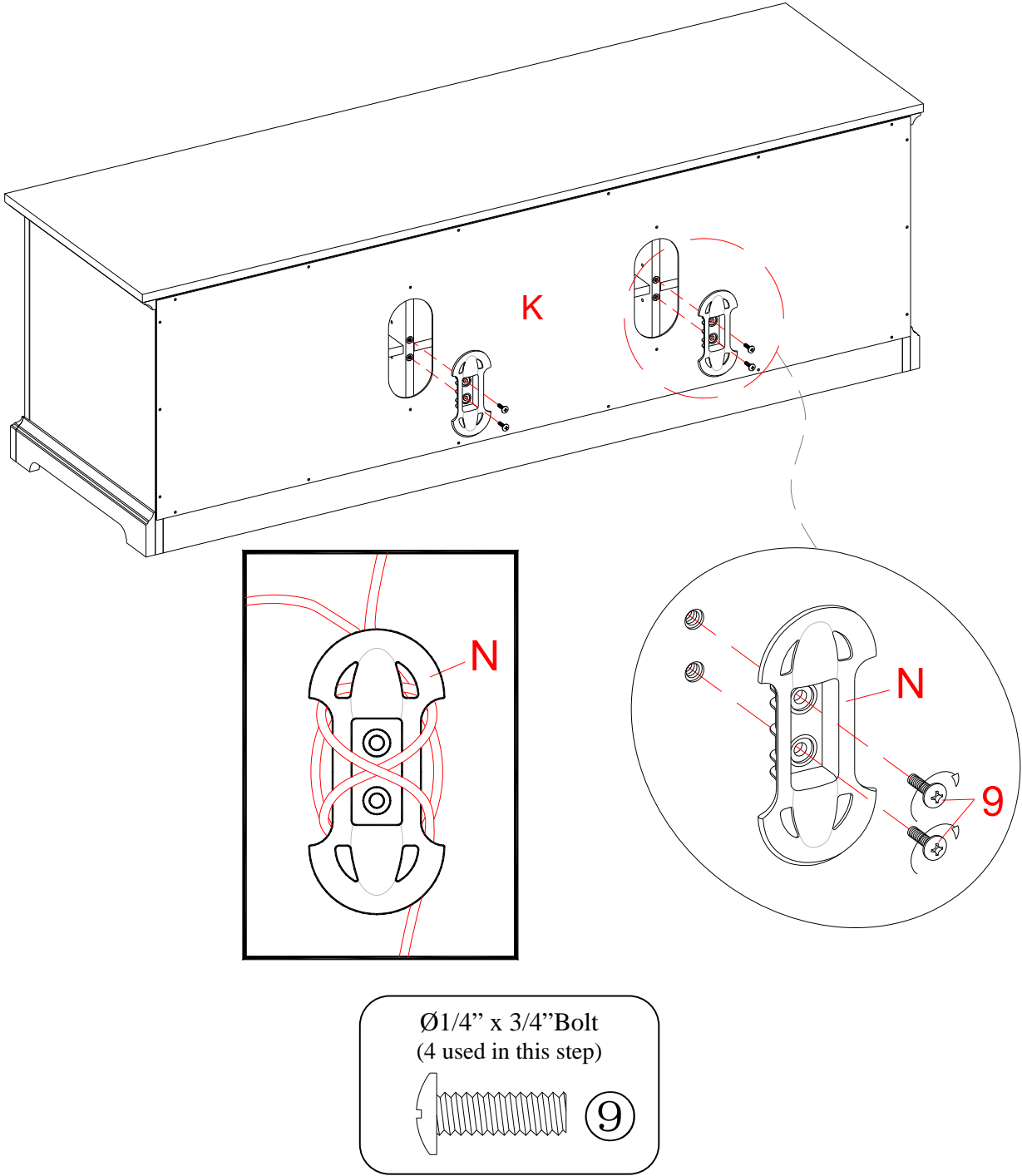
M3.5 x 16 mm Washer Head Screw  
(22 used in this step)



13. Now, go back and securely tighten all the Cam Locks and Wood Screws. Make sure all the parts are tight and there are no gaps between the pieces. This will help keep the unit square.
14. Using the pilot holes as a guide, align and attach the Back Panel (L) to the assembled unit by using twenty-two 16 mm Washer Head Screws (5) through the drilled holes on the Back Panel and screw into place. Make sure that the overlaps on the panels are even all the way around.

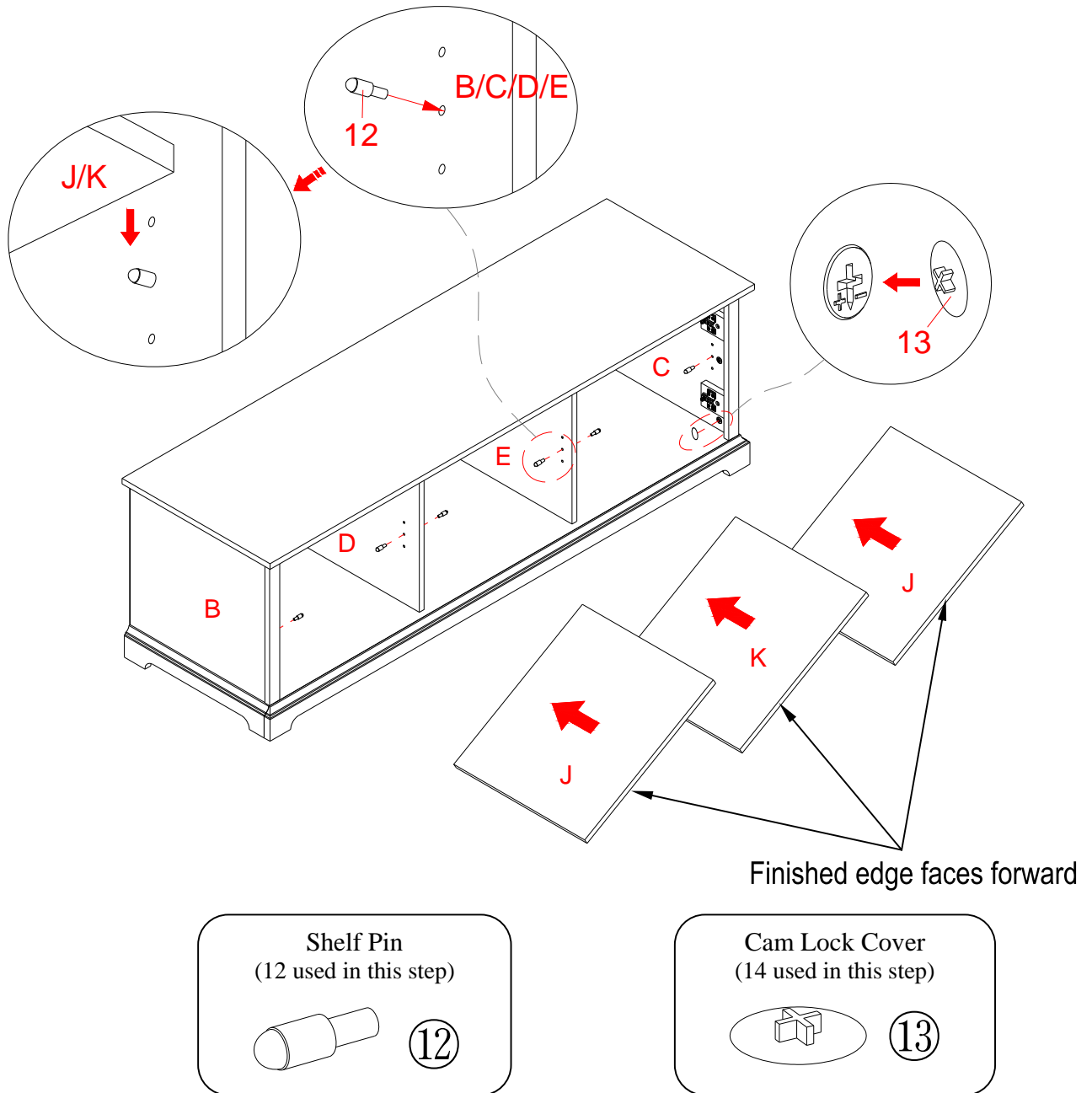
**NOTE:** We recommend attaching back panel with the screws at the corners first.

**Assembly Instructions**



15. Attach two Cable Wheels (N) to the threaded inserts on the back side of Partition Panels (D and E) with four 3/4" Bolts (9). You can use the Cable Wheels to organize your cables and cords.

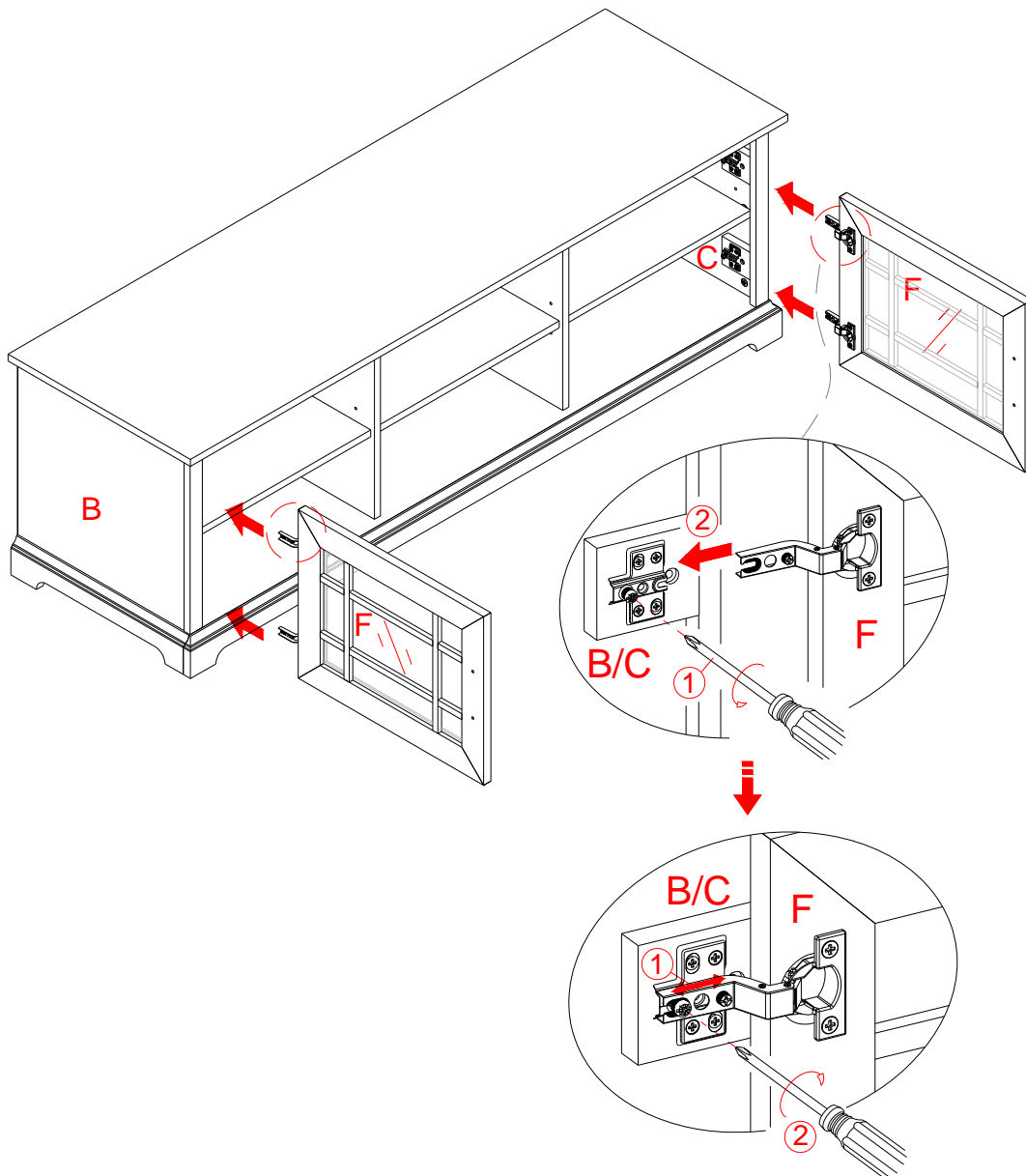
## Assembly Instructions



16. Insert four Shelf Pins (12) into the desired holes in the sides of each compartment. Make sure you place the four Shelf Pins in the same level so the shelf is not tilted. Tilt and set the Adjustable Shelves (J and K) onto the Shelf Pins (12) with the finished edge facing the front of the unit. As shown.

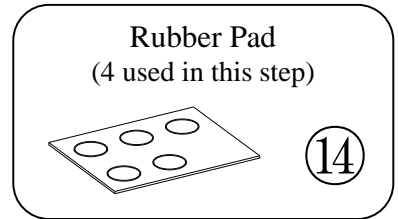
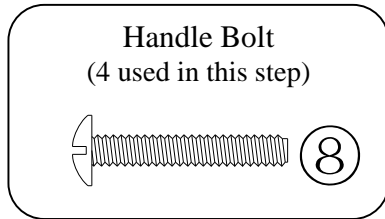
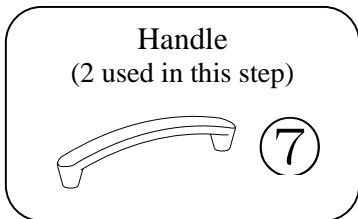
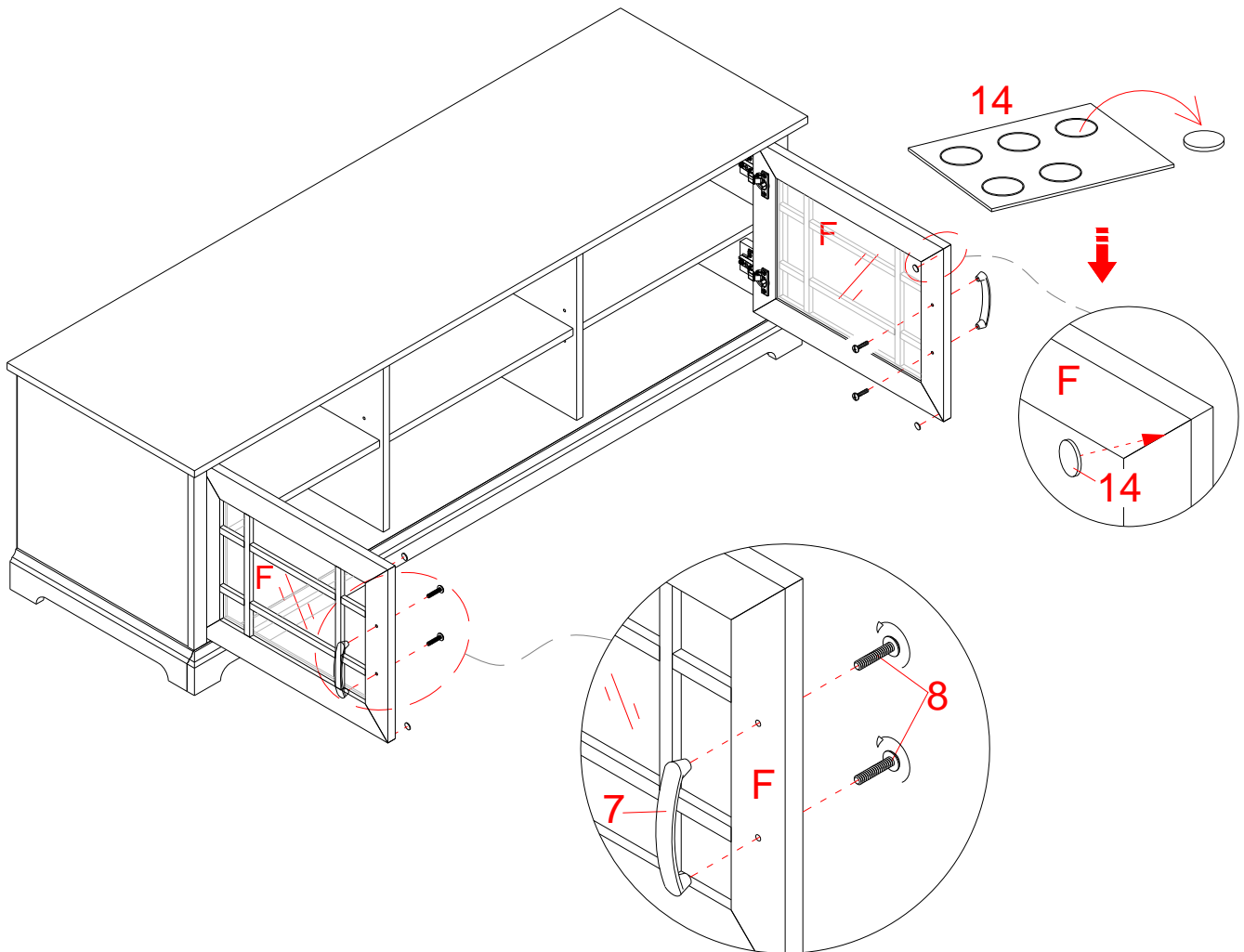
17. Plug Cam Lock Covers (13) onto the visible Cam Locks to conceal the Cam Locks.

## Assembly Instructions



18. Extend the two Hinge Arms that are pre-attached on one Door (F) and attach them to the Hinge Bases on the Right Side Frame (C). Loosen the bolt on the back of Hinge Base for an easy fit. Align and insert the “U” slot on Hinge Arm under the bolt head on the back of Hinge Base. Make sure that both door hinges engage and function properly. Tighten the bolt on the Hinge Base to lock the hinges in place.
19. Repeat the same procedure to install the other Door (F) to the Left Side Frame (B).
20. Open and close the doors to make sure they are aligned and shut correctly. If necessary, adjust the screws for a good fit. Refer to the hinge sticker on door frame for adjustment.

## Assembly Instructions

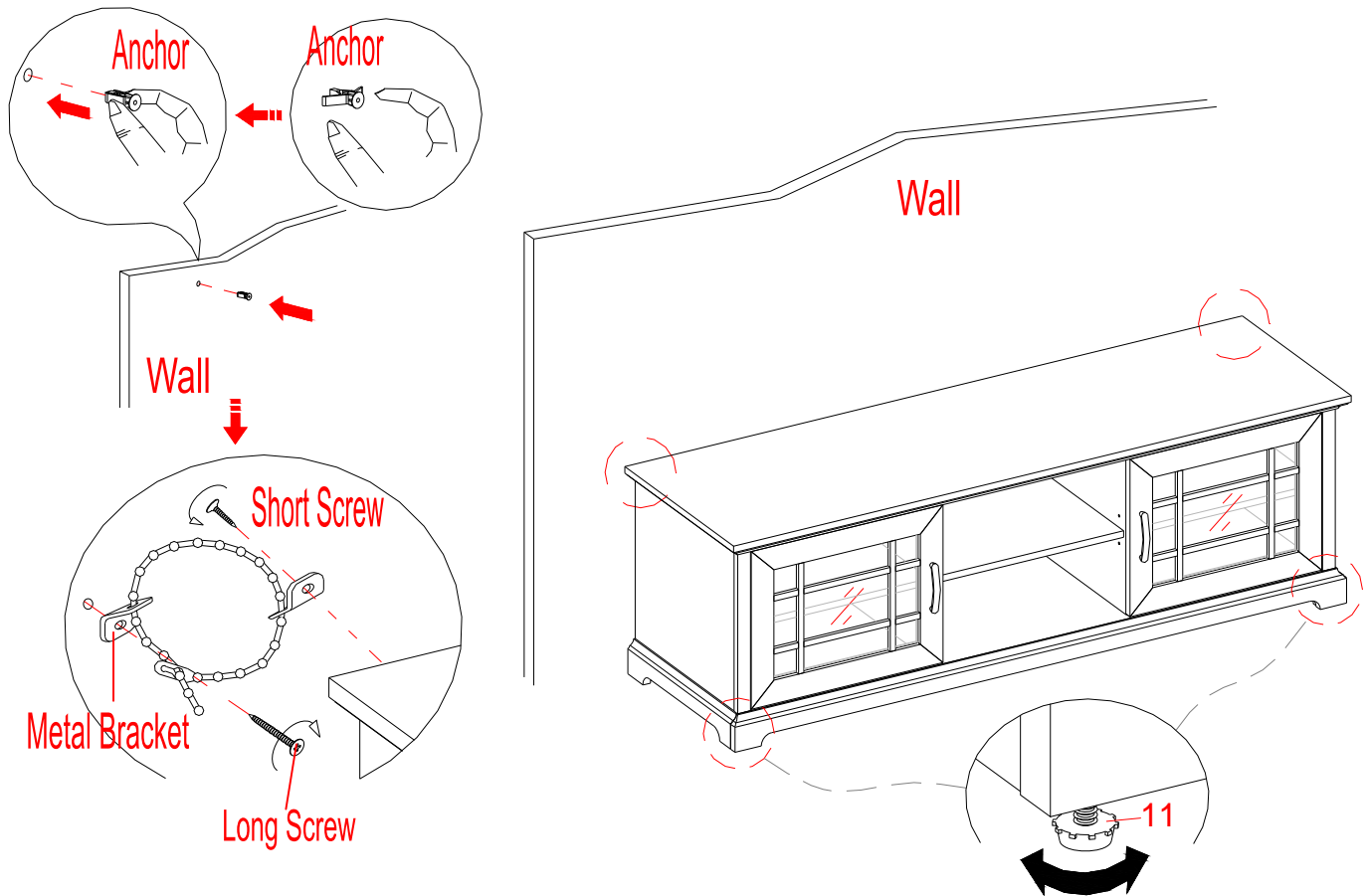


21. Open the doors and attach one Handle (7) to the front side of each door with the provided Handle Bolts (8).

22. Stick two Rubber Pads (14) on the upper and lower corners of Door Frames (F) as a bumper, as shown. Make sure that the Rubber Pad (14) will properly hit the Partition Panels.



## Assembly Instructions



Tools required: Phillips screwdriver, Power Drill, 3/8" Drill Bit and Rubber Mallet.

- Position the assembled unit at the desired location against a wall. If necessary, adjust the installed Floor Levelers (11) to level the unit. Now, follow the instructions printed on the plastic bag containing the Tipping Restraint Hardware to attach the tip-over restraint to the Table and the wall.

**NOTE:** Young children can be seriously injured by tipping furniture. You must install the Tipping Restraint Hardware with the unit to prevent any accidents or damage to the unit. The tipping restraint is intended only as a deterrent, they are not a substitute for proper adult supervision. The tipping restraint is not an earthquake restraint. If you wish to add the extra security of earthquake restraints, they must be purchased and installed separately.

## Care and Maintenance

- Use a soft, clean cloth that will not scratch the surface when dusting.
- Use of furniture polish is not necessary. Should you choose to use polish, test first in an inconspicuous area.
- Using solvents of any kind on your furniture may damage your furniture's finish.
- Never use water to clean your furniture as it may cause damage to the finish.
- Always use coasters under beverage glasses and flowerpots.
- Liquid spills should be removed immediately. Using a soft clean cloth, blot the spill gently. Avoid rubbing.
- Always use protective pads under hot dishes and plates. Heat can cause chemical changes that may create spotting within the furniture finish.
- Stains or marks from crayons or ink markers will be difficult to remove.
- In the event that your furniture is stained or otherwise damaged during use, we recommend that you call a professional to repair your furniture.
- Check bolts/screws periodically and tighten them if necessary.

## Further advice about wood furniture care

It is best to keep your furniture in a climate-controlled environment. Extreme temperature and humidity changes can cause fading, warping, shrinking and splitting of wood. It is advised to keep furniture away from direct sunlight as sun may damage the finish.

Proper care and cleaning at home will extend the life of your purchase. Following these important and helpful tips will enhance your furniture as it ages.

**A Touch-up Pen has been provided to repair any small nicks or scratches that may occur during assembly or shipping.**

We hope you enjoy your purchase for many years.  
Thank you for your purchase!

## QUALITY GUARANTEE

We are confident that you will be delighted with your Whalen Furniture purchase.

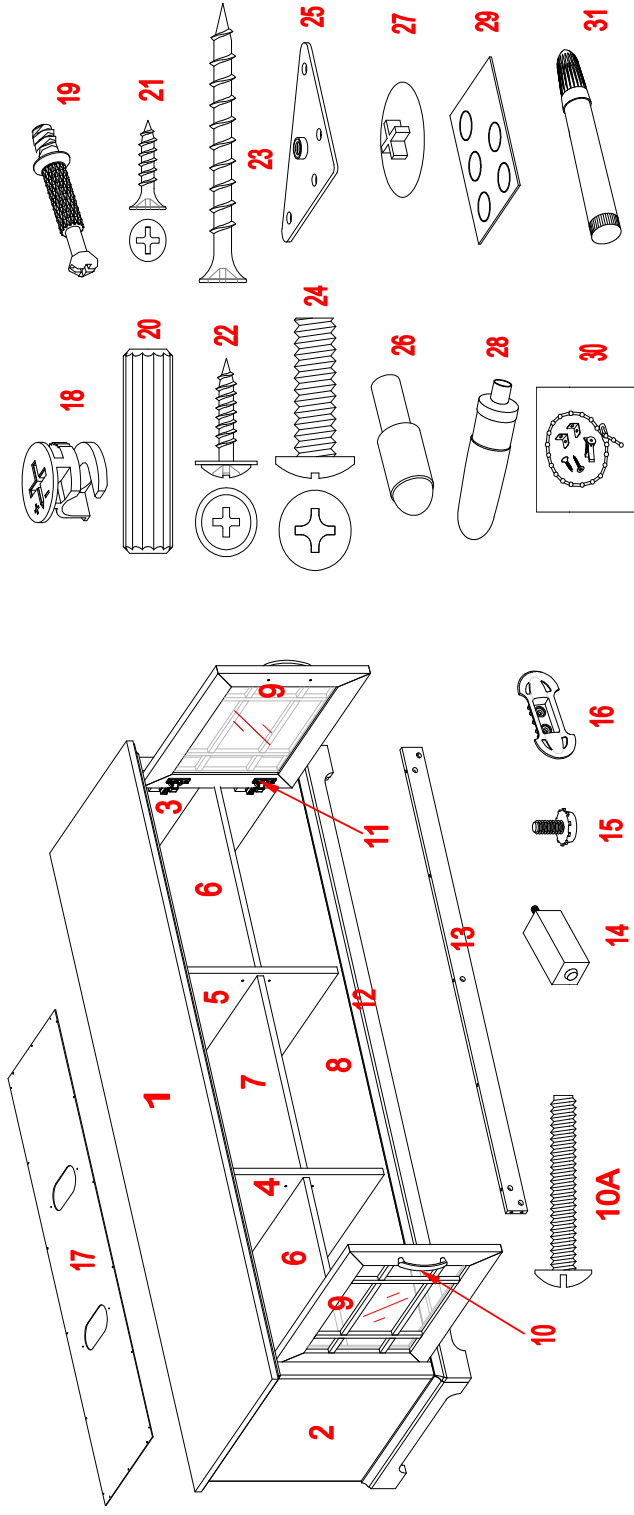
Should this product be defective in workmanship or materials or fail under normal use, we will repair or replace it for up to one (1) year from date of purchase. Every Whalen Furniture product is designed to meet your highest expectations. We guarantee that you will immediately see the value of our fine furniture.

This warranty gives you specific legal rights and you may also have other rights which vary from province to province (state to state).

Customer Service: 1-866-942-5362  
8:30 a.m. - 4:30 p.m. PST, Monday to Friday  
**[www.whalenfurniture.com](http://www.whalenfurniture.com)**

**Please call for replacement parts or assistance: 1-866-942-5362**

**IF YOU NEED TO ORDER ANY REPLACEMENT PARTS, PLEASE USE THE LIST BELOW  
TV Console (AVCLEC60-DB)**



*AVCLEC60-DB-1-TP	Top Panel	*AVCLEC60-DB-17-BP	Back Panel
*AVCLEC60-DB-2-LSF	Left Side Frame	*AVCLEC60-DB-18-CL	Cam Lock
*AVCLEC60-DB-3-RSF	Right Side Frame	*AVCLEC60-DB-19-CB	Cam Bolt
*AVCLEC60-DB-4-LPP	Left Partition Panel	*AVCLEC60-DB-20-M8x30WD	M8 x 30 mm Wood Dowel
*AVCLEC60-DB-5-RPP	Right Partition Panel	*AVCLEC60-DB-21-M3x12S	M3 x 12 mm Screw
*AVCLEC60-DB-6-SAS	Small Adjustable Shelf	*AVCLEC60-DB-22-M3.5x16WHS	M3.5 x 16 mm Washer Head Screw
*AVCLEC60-DB-7-LAS	Large Adjustable Shelf	*AVCLEC60-DB-23-M4x40WS	M4 x 40 mm Wood Screw
*AVCLEC60-DB-8-BP	Bottom Panel	*AVCLEC60-DB-24-3/4B	Ø1/4" x 3/4" Bolt
*AVCLEC60-DB-9-D	Door	*AVCLEC60-DB-25-MB	Metal Bracket
*AVCLEC60-DB-10-H	Handle	*AVCLEC60-DB-26-SP	Shelf Pin
*AVCLEC60-DB-10A-HB	Handle Bolt	*AVCLEC60-DB-27-CLC	Cam Lock Cover
*AVCLEC60-DB-11-DHS	Door Hinge with Screws	*AVCLEC60-DB-28-G	Glue
*AVCLEC60-DB-12-BFM	Bottom Front Molding	*AVCLEC60-DB-29-RP	Rubber Pad
*AVCLEC60-DB-13-BBS	Bottom Back Stretcher	*AVCLEC60-DB-30-TRHK	Tipping Restraint Hardware Kit
*AVCLEC60-DB-14-CSL	Center Support w/Leveler	*AVCLEC60-DB-31-TUP	Touch-up Pen
*AVCLEC60-DB-15-FL	Floor Leveler	*AVCLEC60-DB-CH	Complete Hardware
*AVCLEC60-DB-16-CW	Cable Wheel		