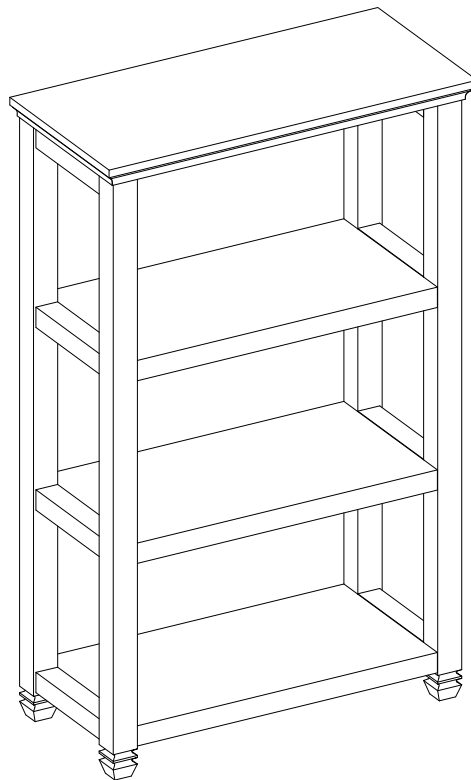




LOT NUMBER: _____
DATE PURCHASED: __/__/__

Raine Bookcase White Model # SPLS-RBK-WH



ADULT ASSEMBLY REQUIRED

If you have any questions regarding assembly or if parts are missing, DO NOT return this item to the store where it was purchased. Please call our toll-free customer service number and have your instructions and parts list ready to provide the model name, part name or factory number:

1-866-942-5362

Pacific Standard Time: 8:30 a.m. - 4:30 p.m., Monday - Friday

Or visit our web site 24 hours a day, 7 days a week for product assistance at

www.whalenfurniture.com

Or e-mail your request to **parts@whalenfurniture.com**

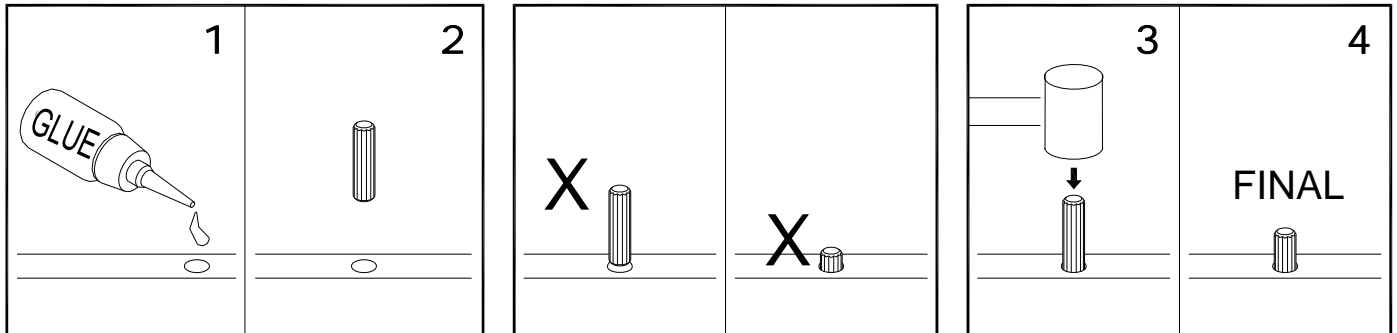
**THIS INSTRUCTION BOOKLET CONTAINS IMPORTANT SAFETY INFORMATION.
PLEASE READ AND KEEP FOR FUTURE REFERENCE.**

Important

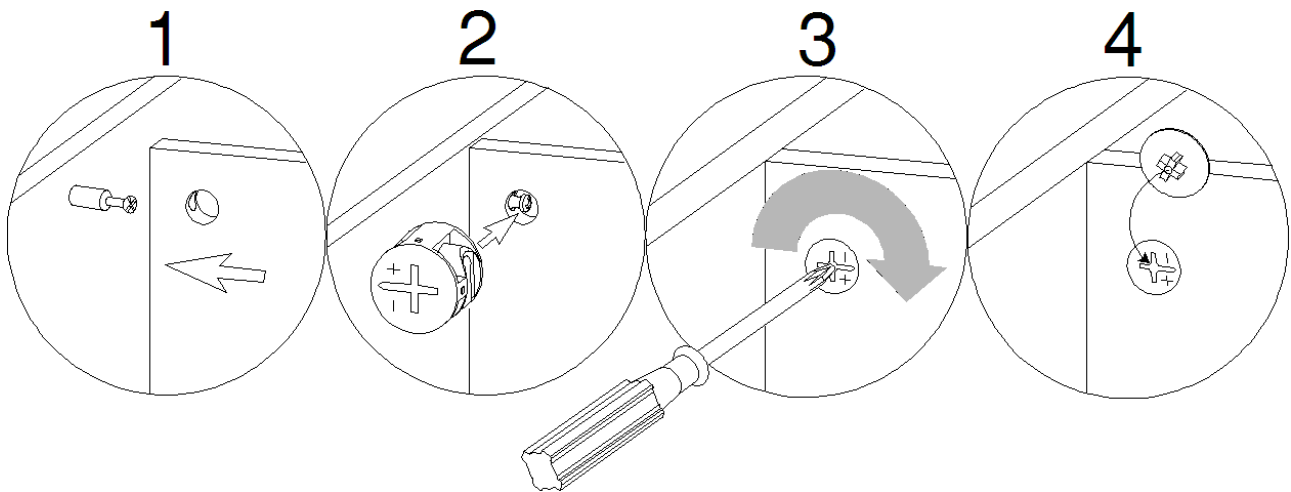
Before you begin: Open, identify and count all parts prior to assembly. Lay out parts on a flat and non-abrasive surface. You will need the parts identified on page 3 of this instruction manual.

NOTE: IT IS VERY IMPORTANT TO USE GLUE WITH DOWELS. EXCESS GLUE CAN BE WIPED OFF WITH DAMP CLOTH.

Insert Dowel at least half way by tapping lightly with a rubber mallet, IF NECESSARY.



CAM LOCK SYSTEM OPERATION



HOW THE KNOCK DOWN (KD) ASSEMBLY SYSTEM WORKS

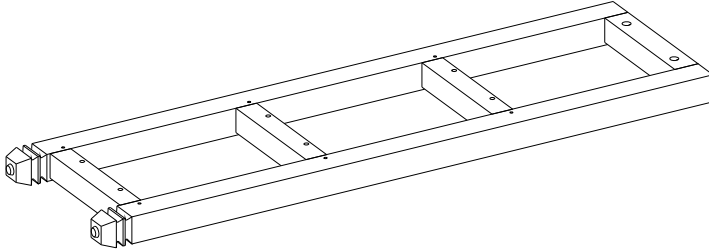
1. Screw the Cam Bolt into the threaded inserts on the panel. Connect both panels together; making sure Cam Bolt goes into the pre-drilled hole on the end of panel for Cam Lock.
2. Insert the Cam Lock into the pre-drilled large hole on the panel. Make sure the arrow on the face of Cam Lock faces out and points towards Cam Bolt.
3. Take a Phillips screwdriver and rotate the Cam Lock clockwise to lock the Cam Bolt in place.
4. Plug the Cam Lock Cover into the cross slot of the Cam Lock to conceal the Cam.

You are now ready to assemble the KD unit.

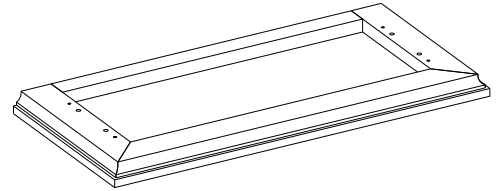
Please call for replacement parts or assistance: **1-866-942-5362**

Parts and Hardware List

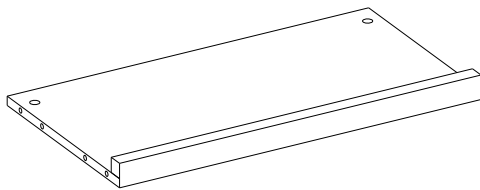
Please read completely through the instructions and verify that all listed parts and hardware are present before beginning assembly.



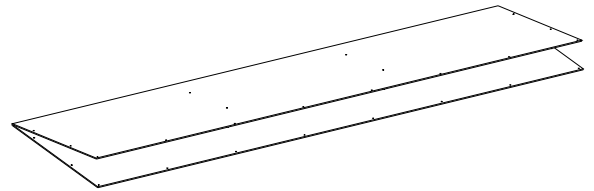
A- Side Frame (2)



B- Top Panel (1)



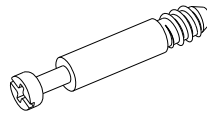
C- Shelf (3)



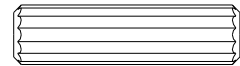
D- Back Panel (1)



(1) Cam Lock
(16+1 extra)



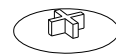
(2) Cam Bolt
(16+1 extra)



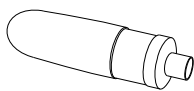
(3) M8 x 30 mm Wood Dowel
(16+1 extra)



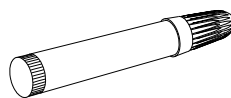
(4) Ø3 x 19 mm Ring Shank Nail (32+1 extra)



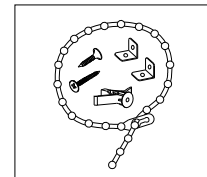
(5) Cam Lock Cover (4+1 extra)



Glue (1)



Touch-up Pen (1)

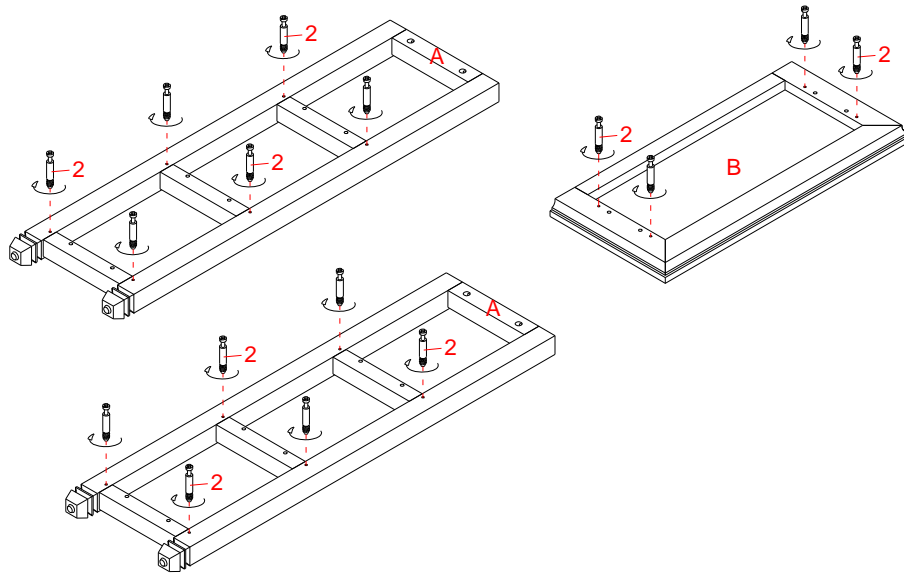


Tipping Restraint Hardware Kit (2)
(Inside Plastic Bag)

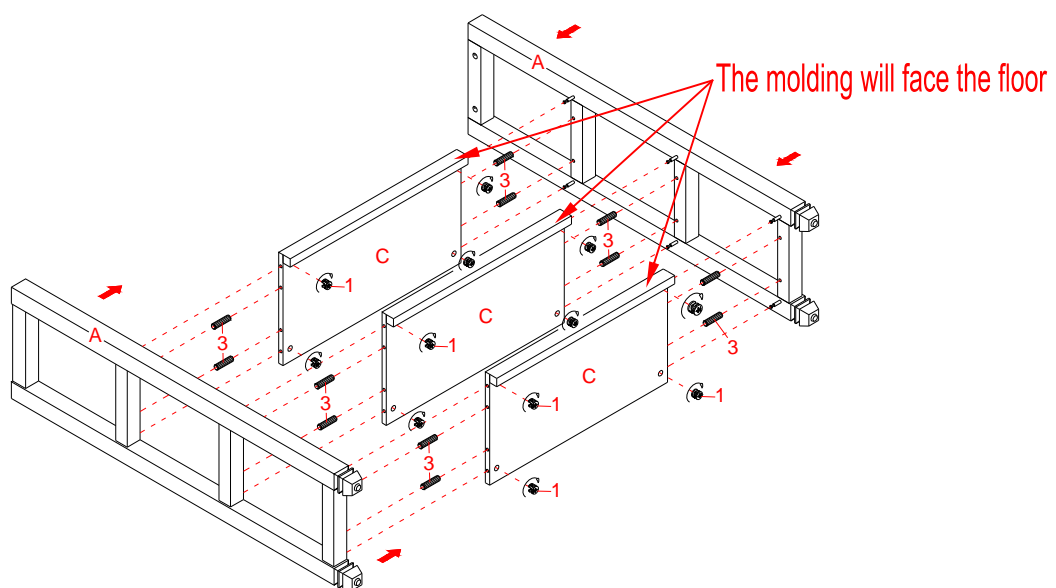
Tools required: Phillips screwdriver (not provided).

Assembly Instructions

1. Unpack the unit and confirm that you have all the hardware and required parts. Assembly the unit on a carpeted floor or the empty carton to avoid any scratch.
2. Locate the Side Frames (A) and Top Panel (B) with the holes facing up. Securely screw the Cam Bolts (2) into the designated small holes as shown in the illustration.



3. Insert four Wood Dowels (3) into the inner end holes of each Shelf (C) at both ends. Tap in with a rubber mallet, if necessary. Make sure that you use a small amount of glue with both ends of all dowels.
NOTE: It is very important to use a small amount of glue on both ends of dowels.
4. Align the large holes on one Side Frame (A) with the inserted Wood Dowels (3) on the Shelves (C), and then press them together. Make sure that the Cam Locks will face the floor. Secure the Shelves (C) in place by engaging six Cam Locks (1) (Refer to page 2 on Cam Lock system operation supplement).
5. Repeat the same procedure to attach the other Side Frame (A) at the opposite end.



Please call for replacement parts or assistance: **1-866-942-5362**

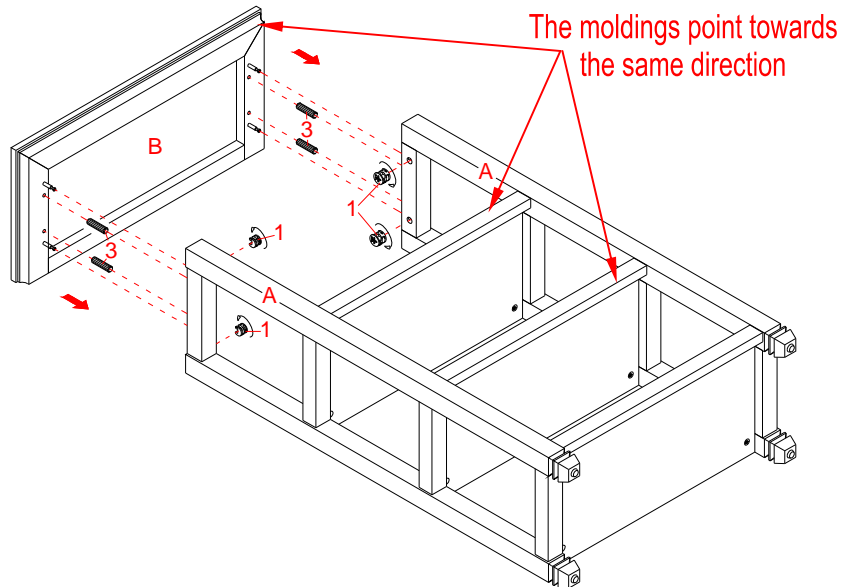
Whalen Furniture Manufacturing

Page 4

Factory No. 15548

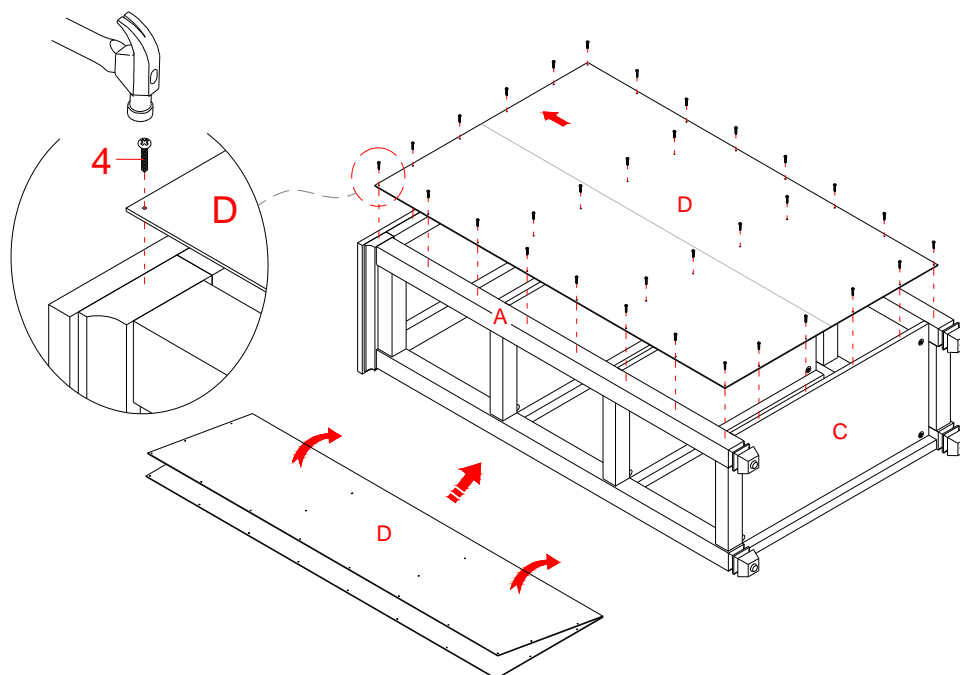
Assembly Instructions

6. Insert four Wood Dowels (3) into the top inner holes of the Side Frames (A). Position the Top Panel (A) onto the inserted Wood Dowels (3) and attach it in place by engaging four Cam Locks (1). As shown.



7. Now, go back and tighten all cam locks. Make sure all the parts are tight and there are no gaps between the parts. This will help keep the unit square. Proceed to flip over the unit at its front edges.
8. Unfold the Back Panel (D) and lay it to the back edges of the assembled unit with the stain surface facing up. Make sure that the overlaps on the panels are even all the way around. Gently hammer the 19 mm Ring Shank Nails (4) through the pilot holes on the Back Panel (D).

NOTE: We recommend attaching back panel with the nails at the corners first.

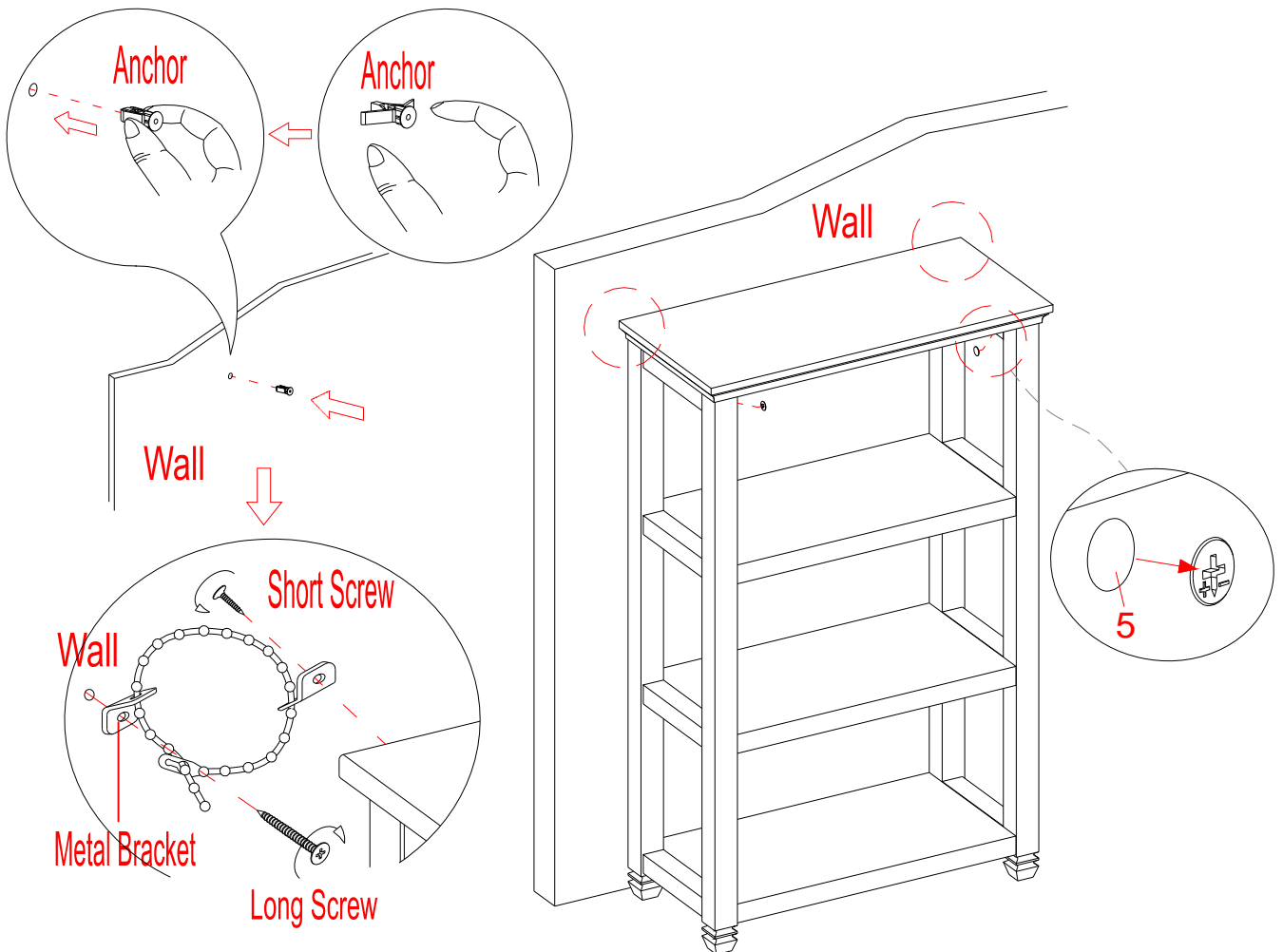


Please call for replacement parts or assistance: **1-866-942-5362**

Assembly Instructions

9. Ask for assistance to stand the unit upright and position it at the desired location against a wall.
10. Plug the Cam Lock Covers (5) onto the visible Cam Locks to conceal the Cam Locks.
11. Now, follow the instructions printed on the plastic bag containing the Tipping Restraint Hardware to attach the tip-over restraints to the unit and the wall. As shown in the illustration.

NOTE: Young children can be seriously injured by tipping furniture. You must install the Tipping Restraint Hardware with the unit to prevent the unit from tipping, causing any accidents or damage. The tipping restraints are intended only as a deterrent, they are not a substitute for proper adult supervision. The tipping restraints are not earthquake restraints. If you wish to add the extra security of earthquake restraints, they must be purchased and installed separately.



Tools required: Phillips screwdriver, power drill, 3/8" drill bit and rubber mallet.

Please call for replacement parts or assistance: **1-866-942-5362**

Whalen Furniture Manufacturing

Page 6

Factory No. 15548

Care and Maintenance

- Use a soft, clean cloth that will not scratch the surface when dusting.
- Use of furniture polish is not necessary. Should you choose to use polish, test first in an inconspicuous area.
- Using solvents of any kind on your furniture may damage your furniture's finish.
- Never use water to clean your furniture as it may cause damage to the finish.
- Always use coasters under beverage glasses and flowerpots.
- Liquid spills should be removed immediately. Using a soft clean cloth, blot the spill gently. Avoid rubbing.
- Always use protective pads under hot dishes and plates. Heat can cause chemical changes that may create spotting within the furniture finish.
- Stains or marks from crayons or ink markers will be difficult to remove.
- In the event that your furniture is stained or otherwise damaged during use, we recommend that you call a professional to repair your furniture.
- Check bolts/screws periodically and tighten them if necessary.

Further advice about wood furniture care

It is best to keep your furniture in a climate-controlled environment. Extreme temperature and humidity changes can cause fading, warping, shrinking and splitting of wood. It is advised to keep furniture away from direct sunlight as sun may damage the finish.

Proper care and cleaning at home will extend the life of your purchase. Following these important and helpful tips will enhance your furniture as it ages.

A Touch-up Pen has been provided to repair any small nicks or scratches that may occur during assembly or shipping.

We hope you enjoy your purchase for many years.
Thank you for your purchase!

QUALITY GUARANTEE

We are confident that you will be delighted with your Whalen Furniture purchase.

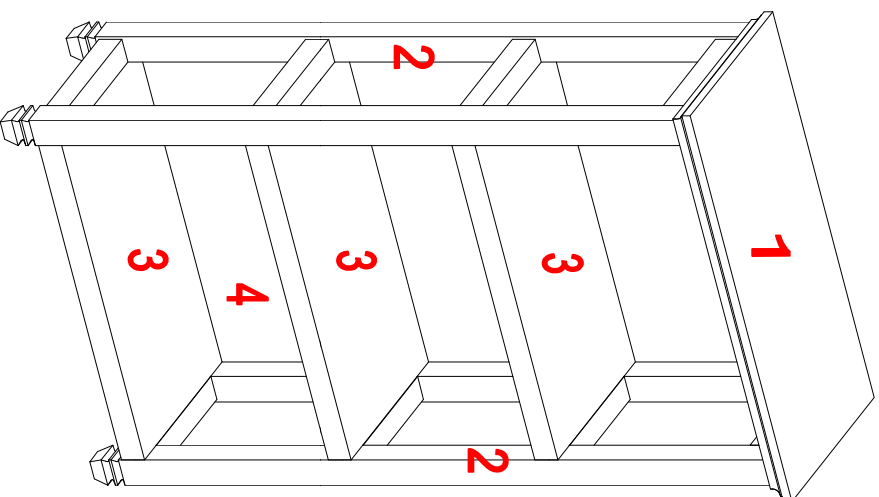
Should this product be defective in workmanship or materials or fail under normal use, we will repair or replace it for up to one (1) year from date of purchase. Every Whalen Furniture product is designed to meet your highest expectations. We guarantee that you will immediately see the value of our fine furniture.

This warranty gives you specific legal rights and you may also have other rights which vary from province to province (state to state).

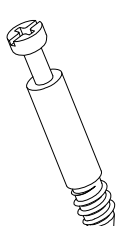
Customer Service: 1-866-942-5362
8:30 a.m. - 4:30 p.m., PST, Monday to Friday
www.whalenfurniture.com

Please call for replacement parts or assistance: 1-866-942-5362

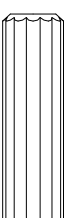
IF YOU NEED TO ORDER ANY REPLACEMENT PARTS, PLEASE USE THE LIST BELOW
Raine Bookcase White (SPLS-RBK-WH)



5



6



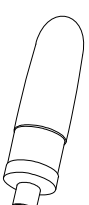
7



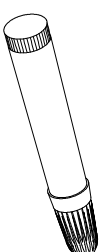
8



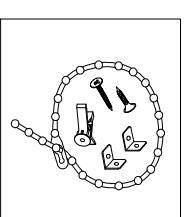
9



10



11



12

*SPLS-RBK-WH-1-TP

Top Panel

*SPLS-RBK-WH-2-SF

Side Frame

*SPLS-RBK-WH-3-S

Shelf

*SPLS-RBK-WH-4-BP

Back Panel

*SPLS-RBK-WH-5-CL

Cam Lock

*SPLS-RBK-WH-6-CB

Cam Bolt

*SPLS-RBK-WH-7-M8x30WD

M8 x 30 mm Wood Dowel

*SPLS-RBK-WH-8-19RSN

Ø3 x 19 mm Ring Shank Nail

*SPLS-RBK-WH-9-CLC

Cam Lock Cover

*SPLS-RBK-WH-10-G

Glue

*SPLS-RBK-WH-11-TUP

Touch-up Pen

*SPLS-RBK-WH-12-TRHK

Tipping Restraint Hardware Kit

*SPLS-RBK-WH-CH

Complete Hardware