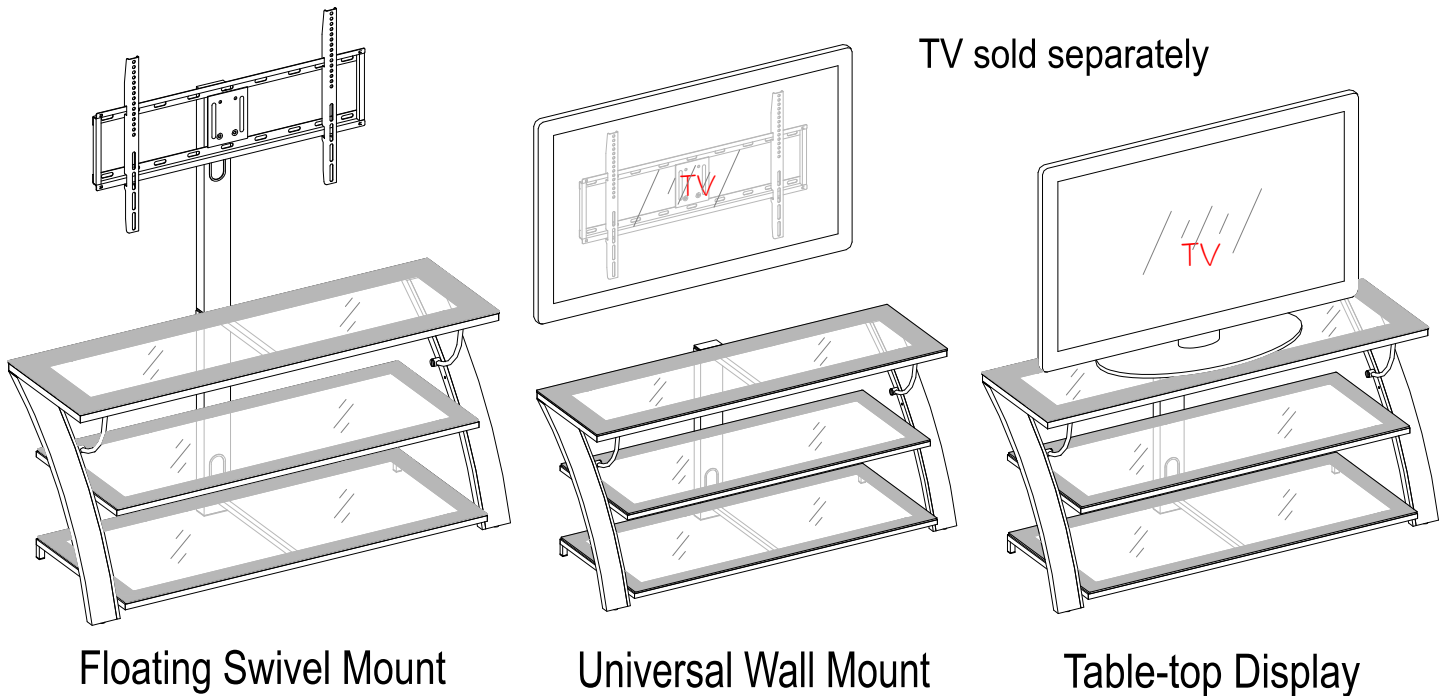


3-in-1™ TV Stand

Model # XLZEC50-GB

U.S. Patent 8,561,551

This item is designed to be a 3-in-1 configuration. Please choose the option that best suits your needs. DO NOT discard any of the hardware or parts that you will not use on your chosen option. This will allow you to use this TV Console in different configurations at a later date, if desired.



ADULT ASSEMBLY REQUIRED

If you have any questions regarding assembly or if parts are missing, DO NOT return this item to the store where it was purchased. Please call our customer service number and have your instructions and parts list ready to provide the model name, part name or factory number:

1-866-942-5362

Pacific Standard Time: 8:30 a.m. - 4:30 p.m., Monday - Friday

Or visit our website 24 hours a day, 7 days a week for product assistance at

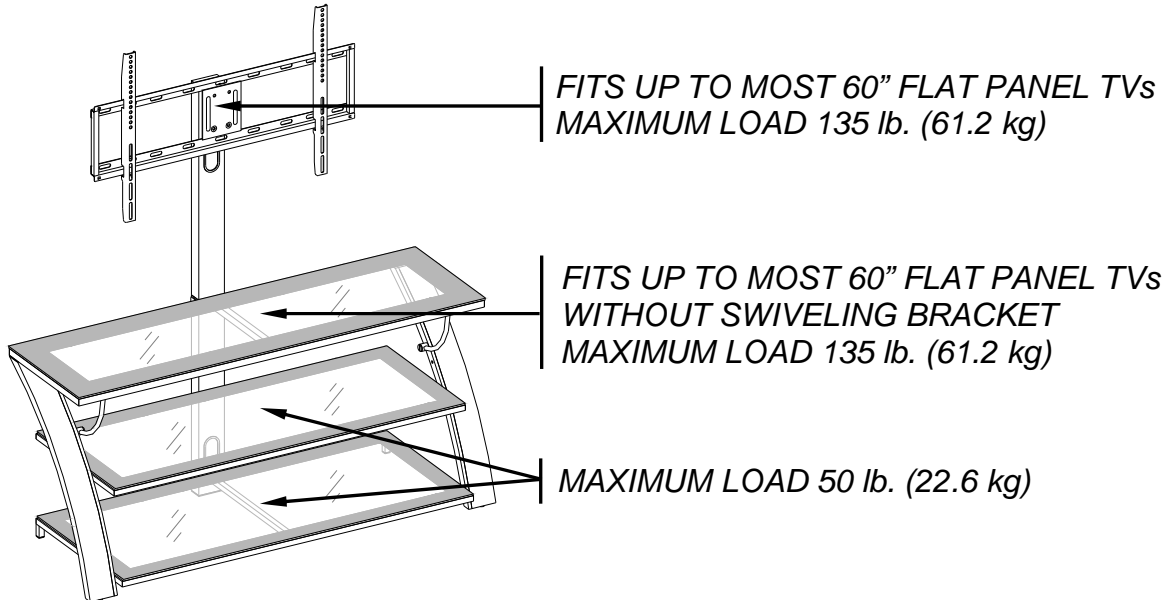
www.whalenfurniture.com

Or e-mail your request to parts@whalenfurniture.com

**THIS INSTRUCTION BOOKLET CONTAINS IMPORTANT SAFETY INFORMATION.
PLEASE READ AND KEEP FOR FUTURE REFERENCE.**

MAXIMUM RECOMMENDED WEIGHT LOADS

MANUFACTURER: VAS®
 CATALOG: 3-in-1™ TV Stand (XLZEC50-GB)
 DATE OF MANUFACTURE: August 2014
 MADE IN CHINA



WARNING

THIS UNIT IS NOT INTENDED FOR USE WITH CRT TVS. USE ONLY WITH FLAT PANEL TVS AND AUDIO/VIDEO EQUIPMENT MEETING RECOMMENDED SIZE AND WEIGHT LIMITS. NEVER USE WITH LARGER/HEAVIER THAN RECOMMENDED FLAT PANEL TVS OR EQUIPMENT. TO AVOID INSTABILITY, PLACE FLAT PANEL TV IN THE CENTER OF THE UNIT; DO NOT ALLOW TV TO OVERHANG UNIT IN ANY DIMENSION. IMPROPERLY POSITIONED FLAT PANEL TVS, OR FLAT PANEL TVS OR OTHER EQUIPMENT THAT EXCEED RECOMMENDED SIZE AND WEIGHT LIMITS COULD FALL OFF OR BREAK THE UNIT, CAUSING POSSIBLE SERIOUS INJURY.

GENERAL INFORMATION, TIPS and TRICKS

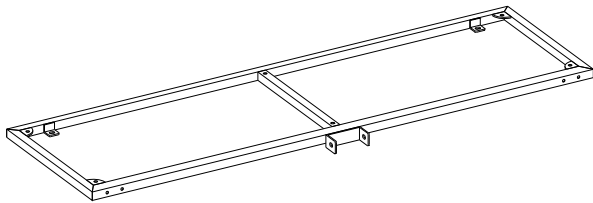
1. Please read the Assembly Instructions prior to assembling this product.
2. Remove all hardware from the box and sort by size.
3. Check to see that all hardware and parts are present BEFORE assembling.
4. Ask a friend to assist you with the assembly of this furniture.
5. To avoid damage, assemble the product on a sturdy, level and protective surface.
6. Please wait until all steps are completed before fully tightening bolts.
7. Make sure all bolts are tightly fastened before the unit is used.

This product is sold with one set of Tipping Restraint Hardware Kit. You must install the Tipping Restraint Hardware between the wall and the TV console to prevent any accidents or damages. When properly installed, this restraint can provide protection against the unexpected tipping of the unit due to small tremors, bumps or climbing. The restraint is only a deterrent and is not a substitute for proper adult supervision. Use of tip-over restraints may only reduce, but not eliminate, the risk of tip-over.

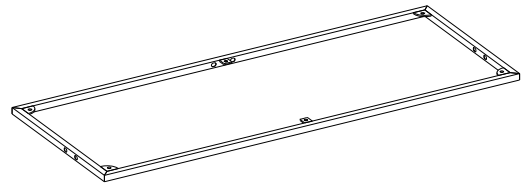
Please call for replacement parts or assistance: 1-866-942-5362

Parts and Hardware List

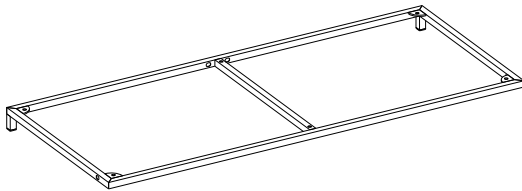
Please read completely through the instructions and verify that all listed parts and hardware are present before beginning assembly.



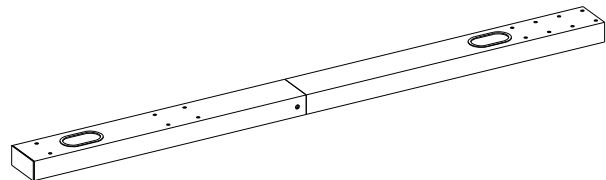
A- Top Shelf Frame (1)



B- Middle Shelf Frame (1)



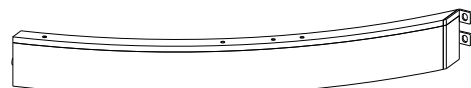
C- Bottom Shelf Frame (1)



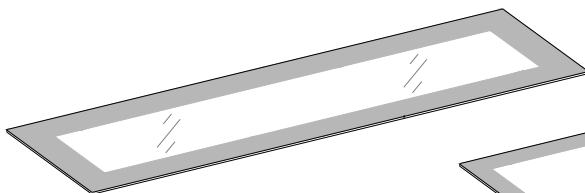
D- Spine Assembly (1)



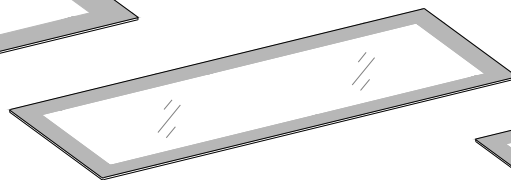
E- Left Leg (1)



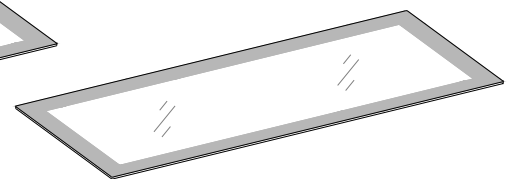
F- Right Leg (1)



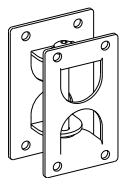
G- Top Glass (1)



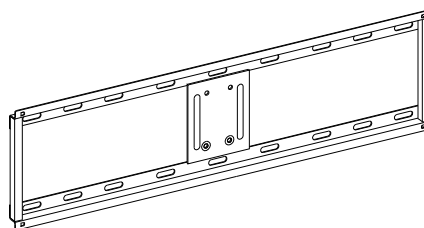
H- Middle Glass Shelf (1)



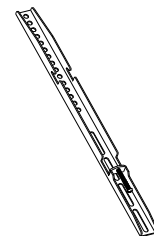
I- Bottom Glass Shelf (1)



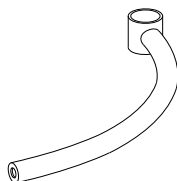
J- Swiveling Bracket (1)



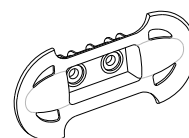
K- Mounting Frame (1)



L- Monitor Bracket (2)




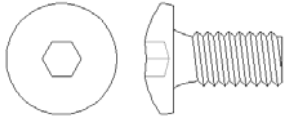
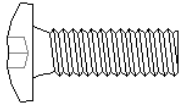
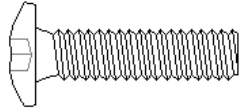

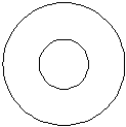
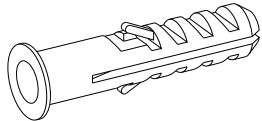
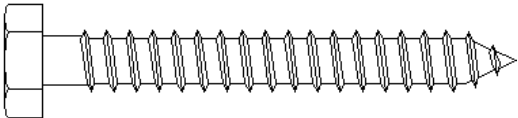
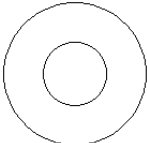
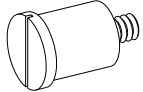
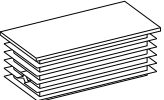
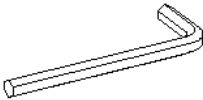

M- Top Shelf Support (2)



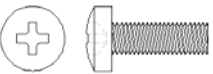
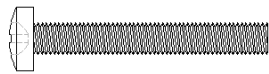
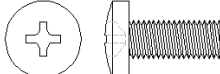
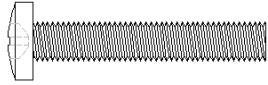
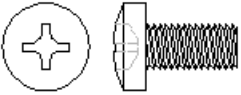

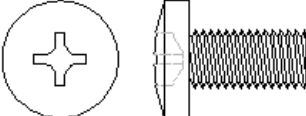
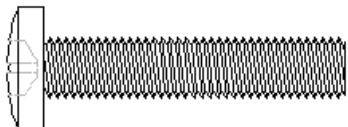
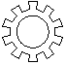
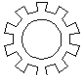
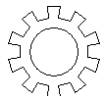
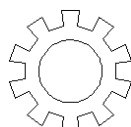


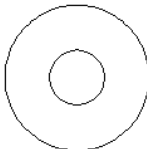
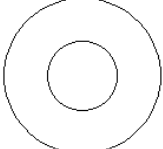
N- Cable Wheel (2)

Please call for replacement parts or assistance: 1-866-942-5362

Parts and Hardware List

- | | | | |
|---|---|---|---|
|  |  |  |  |
| (1) Suction Cup
(18+1 extra) | (2) 1/2" Bolt
(6+1 extra) | (3) 3/4" Bolt
(14+1 extra) | (4) 1" Bolt
(8+1 extra) |
|  |  |  | |
| (5) Lock Washer
(16+1 extra) | (6) Flat Washer
(16+1 extra) | (7) Concrete Anchor
(4) | |
|  |  |  | |
| (8) 2-1/2" Lag Bolt (4) | (9) Lag Bolt Washer (4+1 extra) | (10) Cap Bolt (2) | |
|  |  |  | |
| (11) Spine End Cap (1) | 4 mm Allen Wrench (2) | Tipping Restraint Hardware Kit (2)
<i>(Inside Plastic Bag)</i> | |

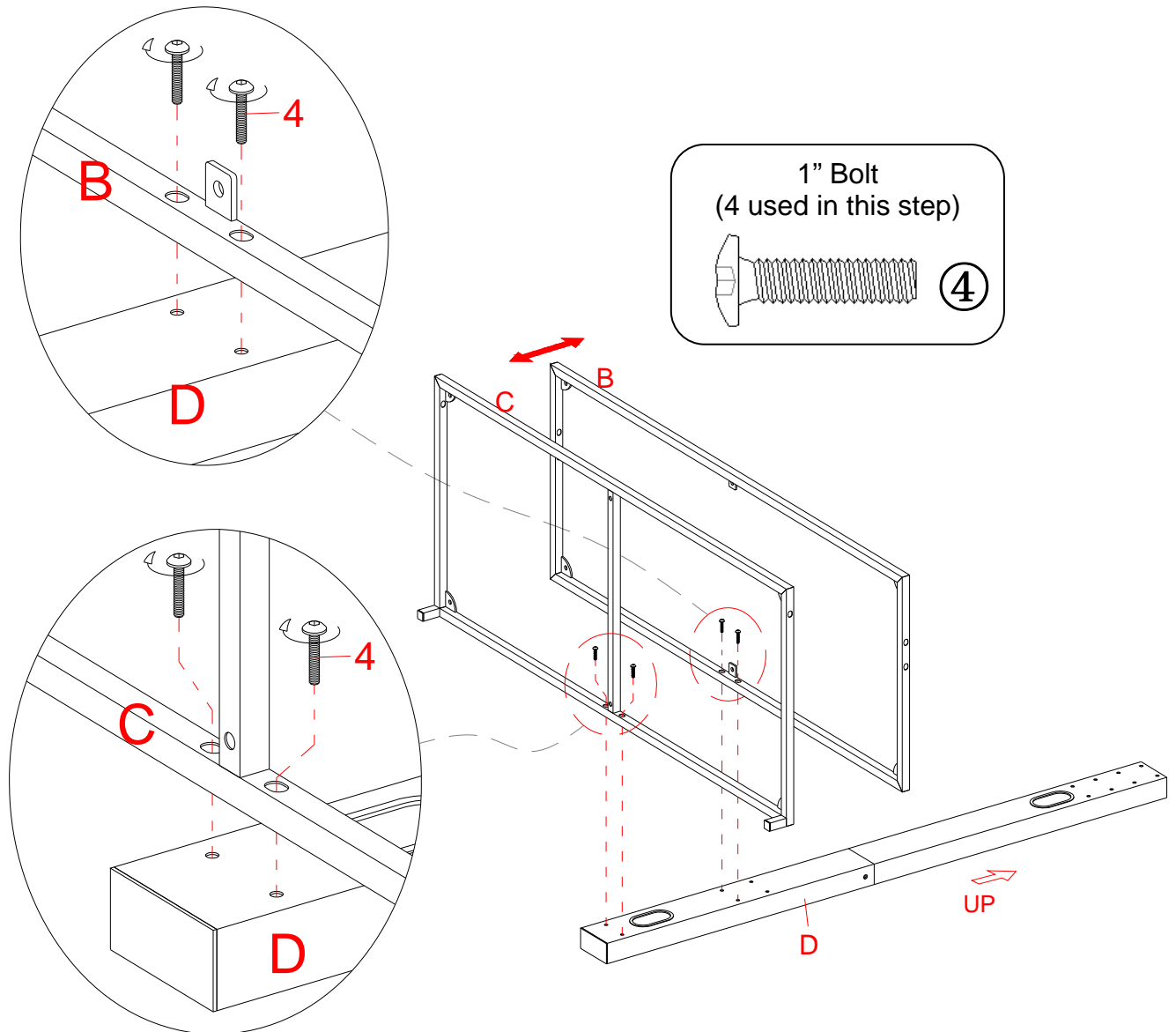
TV Mounting Kit

- | | | | |
|---|---|--|---|
|  |  |  |  |
| M4 x 12 Bolt (4) | M4 x 30 Bolt (4) | M5 x 12 Bolt (4) | M5 x 30 Bolt (4) |
|  |  |  |  |
| M6 x 12 Bolt (4) | M6 x 35 Bolt (4) | M8 x 16 Bolt (4) | M8 x 40 Bolt (4) |
|  |  |  |  |
| M4 Lock Washer (4) | M5 Lock Washer (4) | M6 Lock Washer (4) | M8 Lock Washer (4) |
|  |  |  |  |
| Large Spacer (4) | Small Spacer (4) | M4/M5 Flat Washer (8) | M6/M8 Flat Washer (4) |

Tools required: Allen wrench (provided) and Phillips screwdriver (not provided).

Please call for replacement parts or assistance: 1-866-942-5362

Assembly Instructions



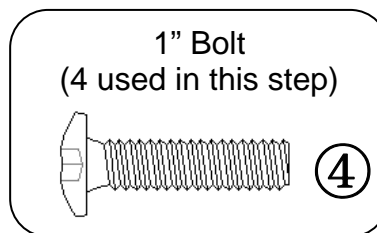
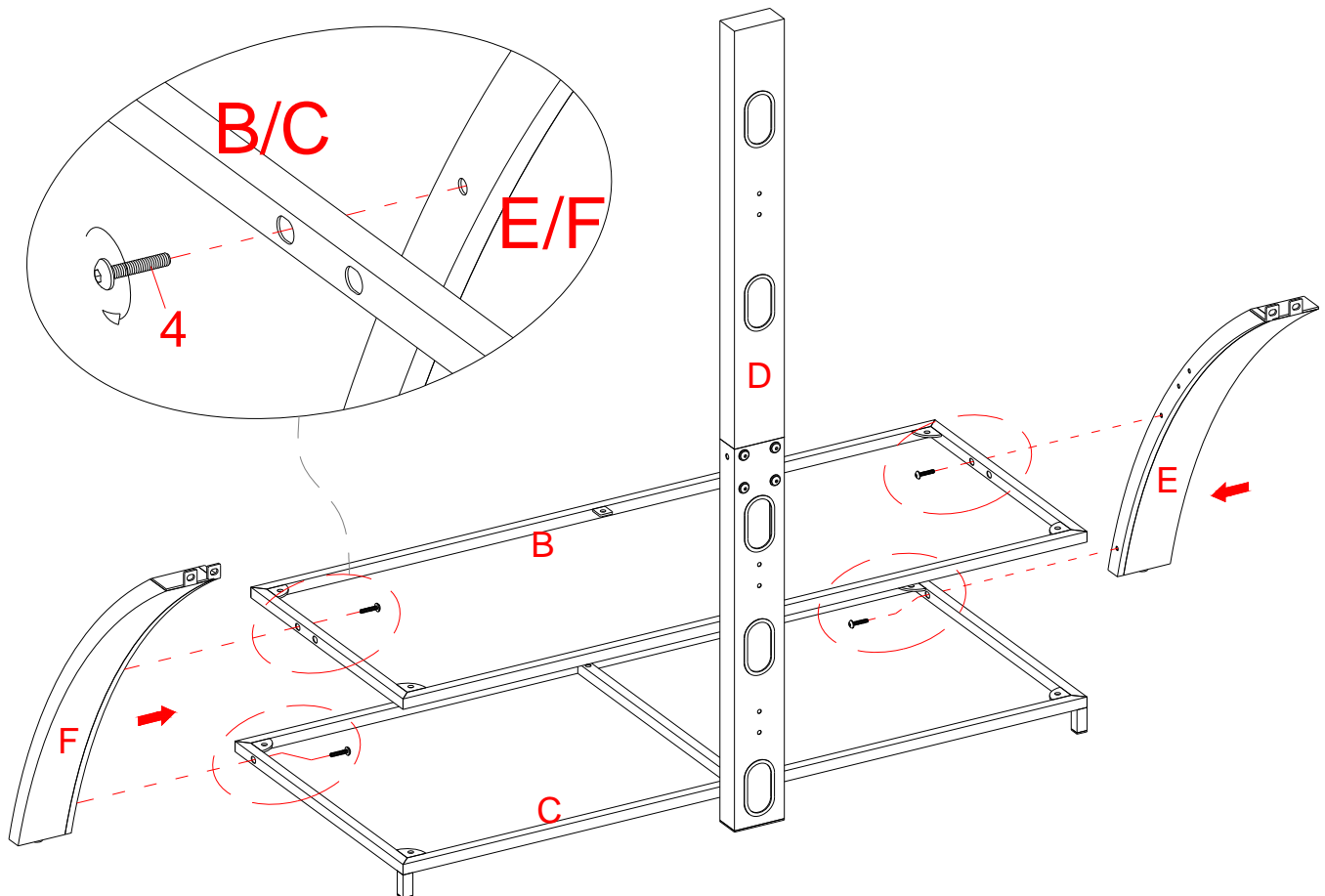
NOTE: *Please do not fully tighten all bolts until you finish assembling all parts. Once assembled, go back and fully tighten all bolts. This will make the assembly easier.*

1. Unpack the unit and confirm that you have all the hardware and required parts.
2. Locate the Spine Assembly (D) and set back face down on a scratch free surface, as shown.
3. Align and attach 2 Shelf Frames (B and C) to the Lower Spine with four 1" Bolts (4). As shown. Make sure that the inside corner plates on the shelf frames will face up when the unit is turned upright.

NOTE: The Middle Shelf Frame (B) is adjustable. Choose the upper hole sets to increase the bottom space.

Please call for replacement parts or assistance: 1-866-942-5362

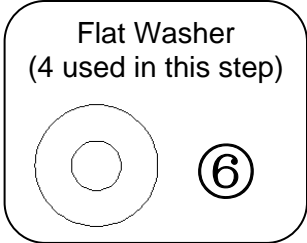
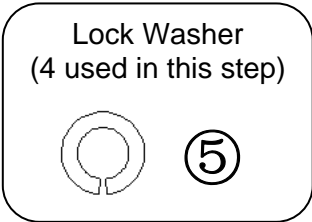
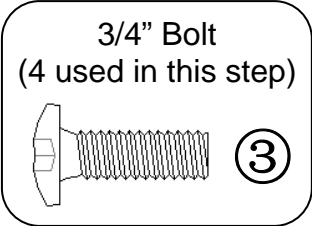
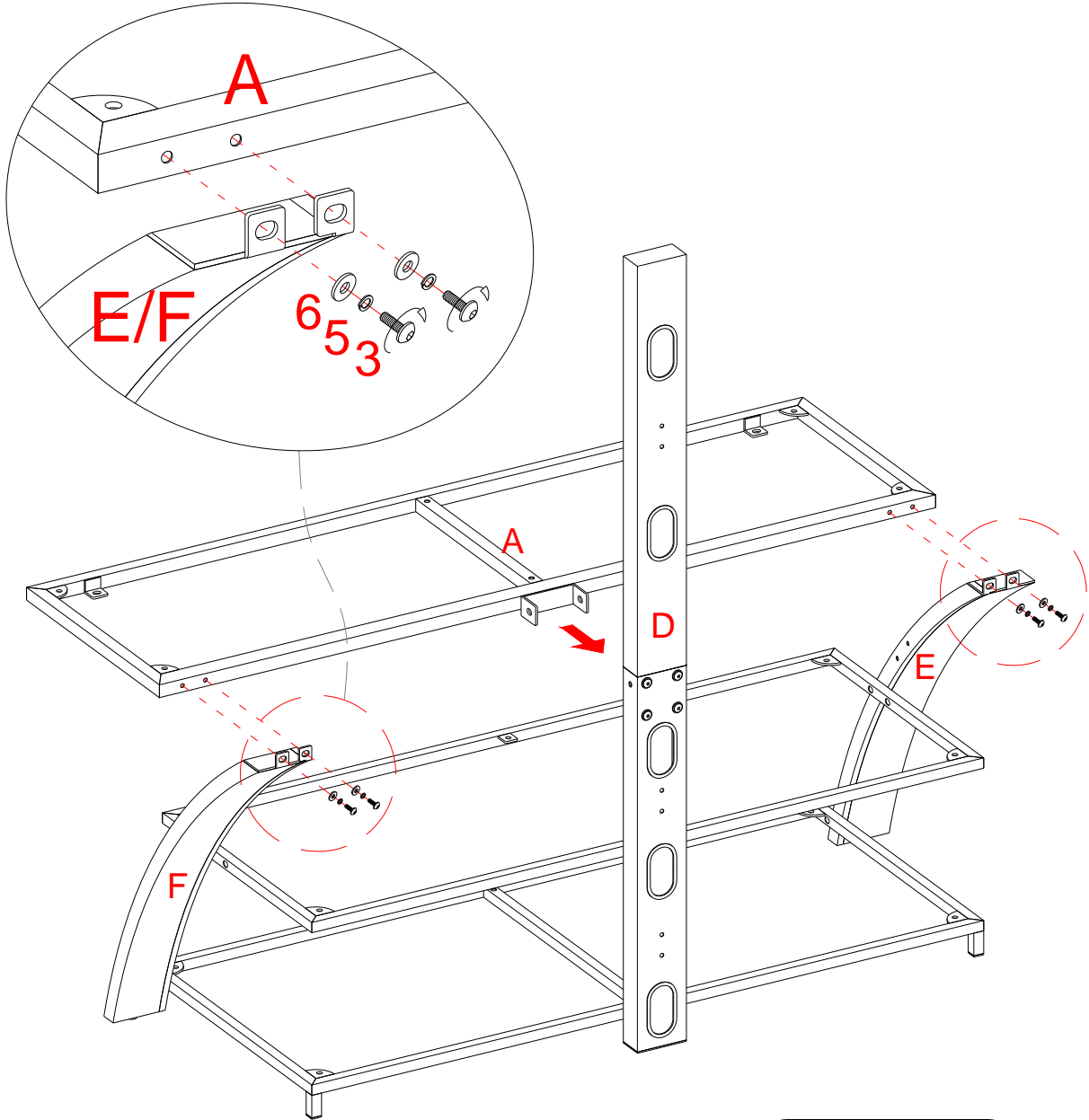
Assembly Instructions



4. Stand the unit upright.
5. Align and attach the Left Leg (E) to the Lower Shelf Frames (B and C) by inserting two 1" Bolts (4) from inside the Shelf Frames through the pre-drilled holes on side rail and screw into the threaded sockets on the Leg. As shown. ***DO NOT tighten the bolts.***
6. Repeat last step with the Right Leg (F).

Please call for replacement parts or assistance: 1-866-942-5362

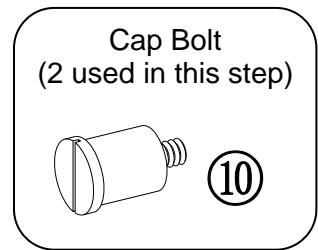
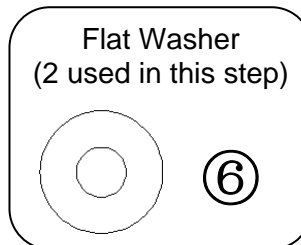
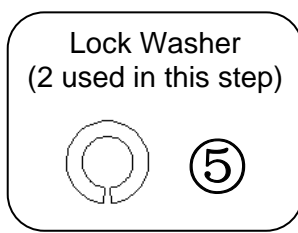
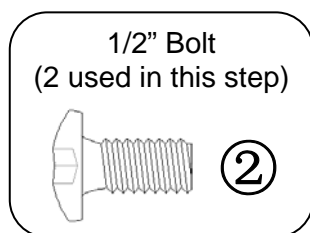
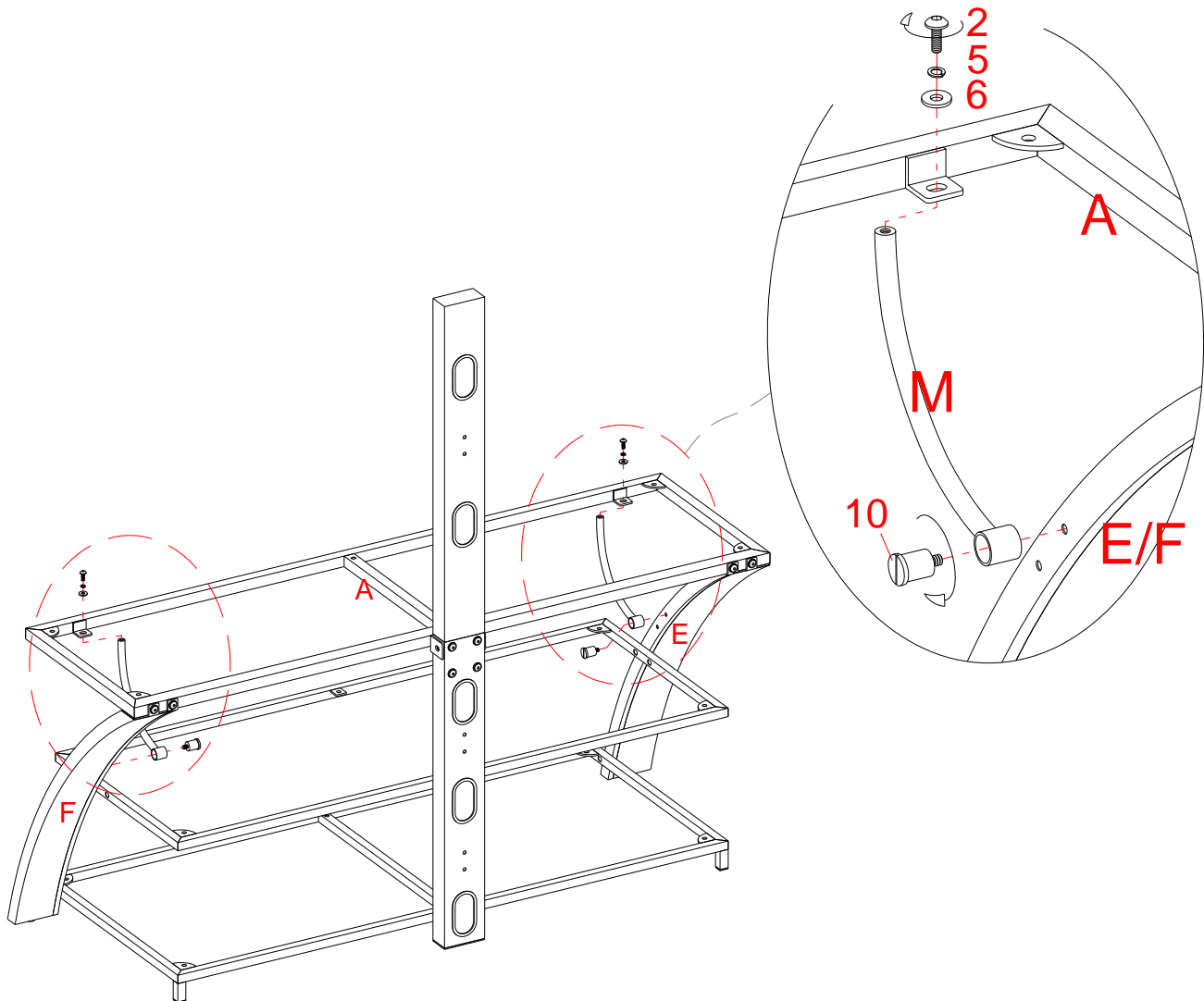
Assembly Instructions



7. Align and attach the Top Shelf Frame (A) to the Legs (E and F) with the inside corner plates facing up, using four 3/4" Bolts (3) with the Washers (5 and 6) through the end bracket holes of the Legs and screw into the back sockets of Top Shelf Frame. As shown.

Please call for replacement parts or assistance: 1-866-942-5362

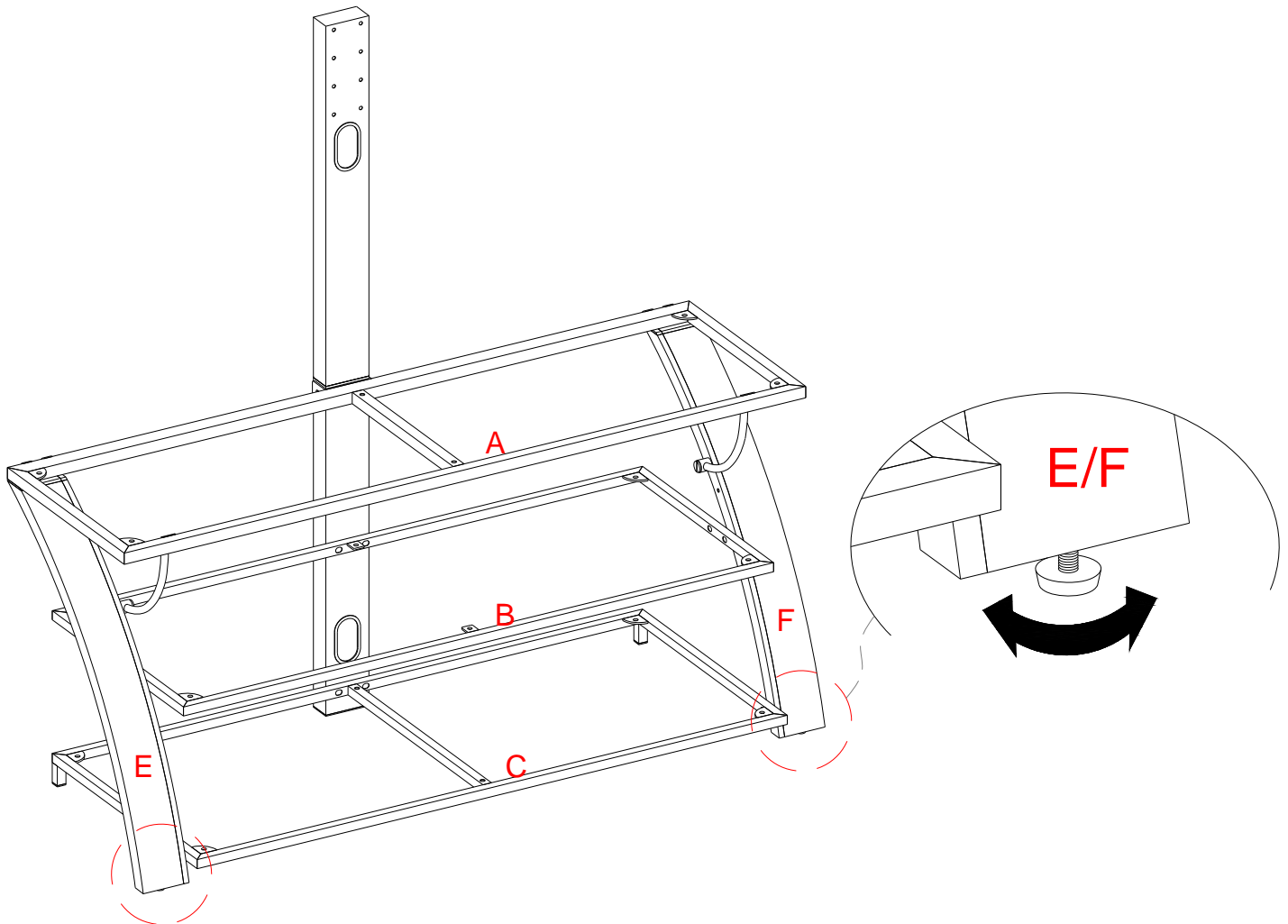
Assembly Instructions



8. Align and attach one Top Shelf Support (M) to the "L" bracket of the Top Shelf Frame (A) using a 1/2" Bolt (2) with the Washers (5 and 6). Secure the Top Shelf Support (M) to the Left Leg (E) with the provided Cap Bolt (10), using a flat tip Phillips screwdriver. As shown.
9. Repeat the same procedure to attach the other Top Shelf Support (M) at the other end.

Please call for replacement parts or assistance: 1-866-942-5362

Assembly Instructions



10. Go back and tighten all bolts with the provided Allen Wrench.

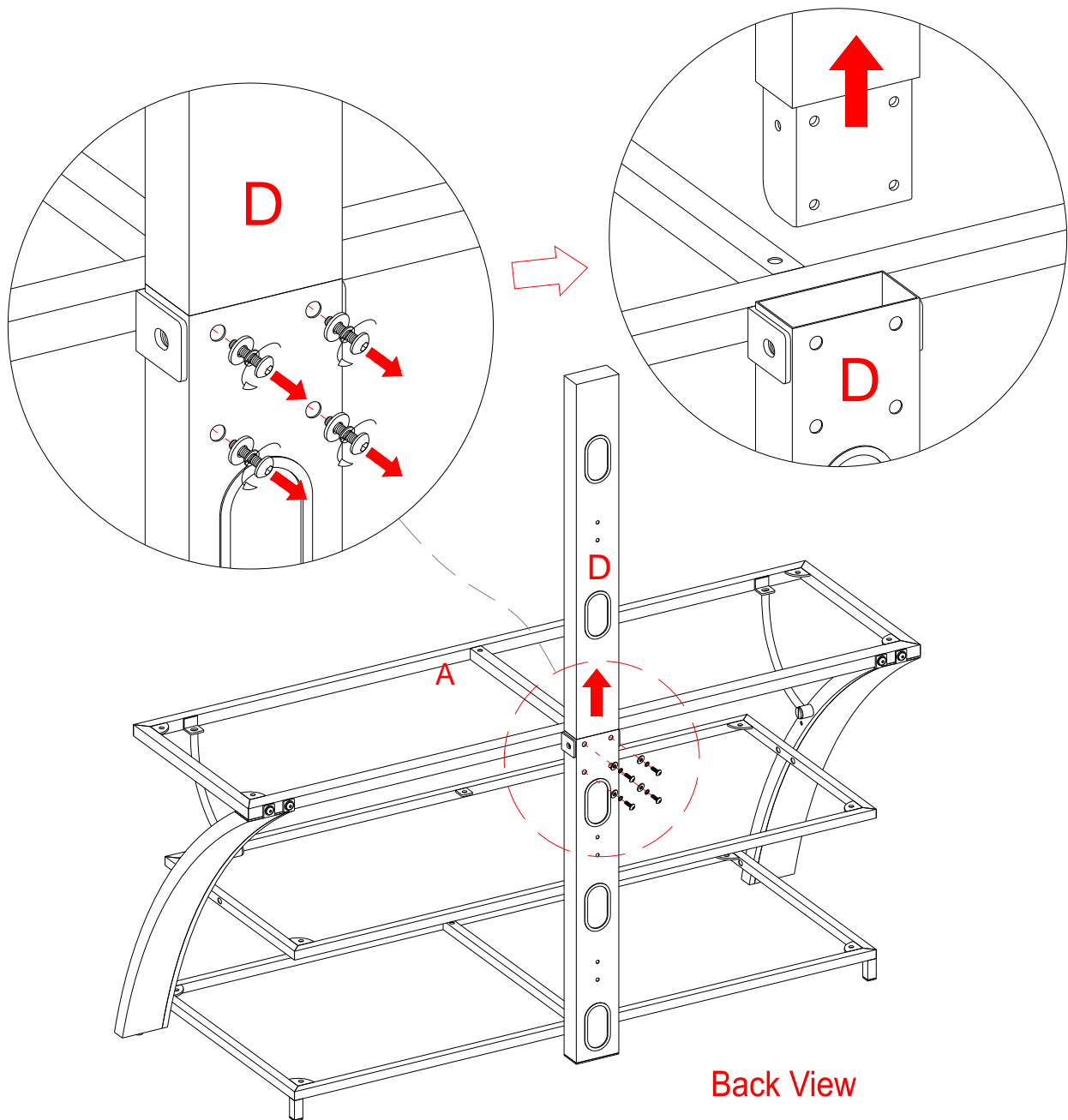
11. In case of uneven floor, Floor Levelers are provided at the bottom of both Legs (E and F). Simply tilt the unit back and raise or lower Floor Leveler by hand to correct tilting, as shown above.



If you choose Table-top Console configuration, continue to the next step. If mounting TV with the Floating Swivel Mount, skip ahead to PAGE 15.

Please call for replacement parts or assistance: 1-866-942-5362

Assembly Instructions for Table-top Console

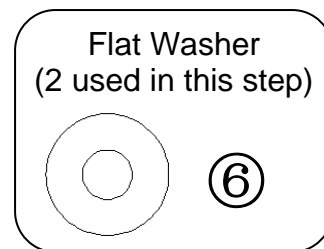
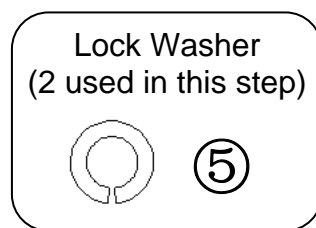
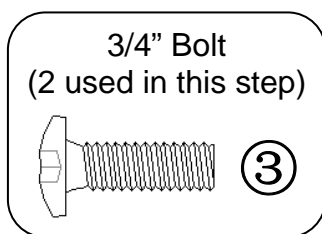
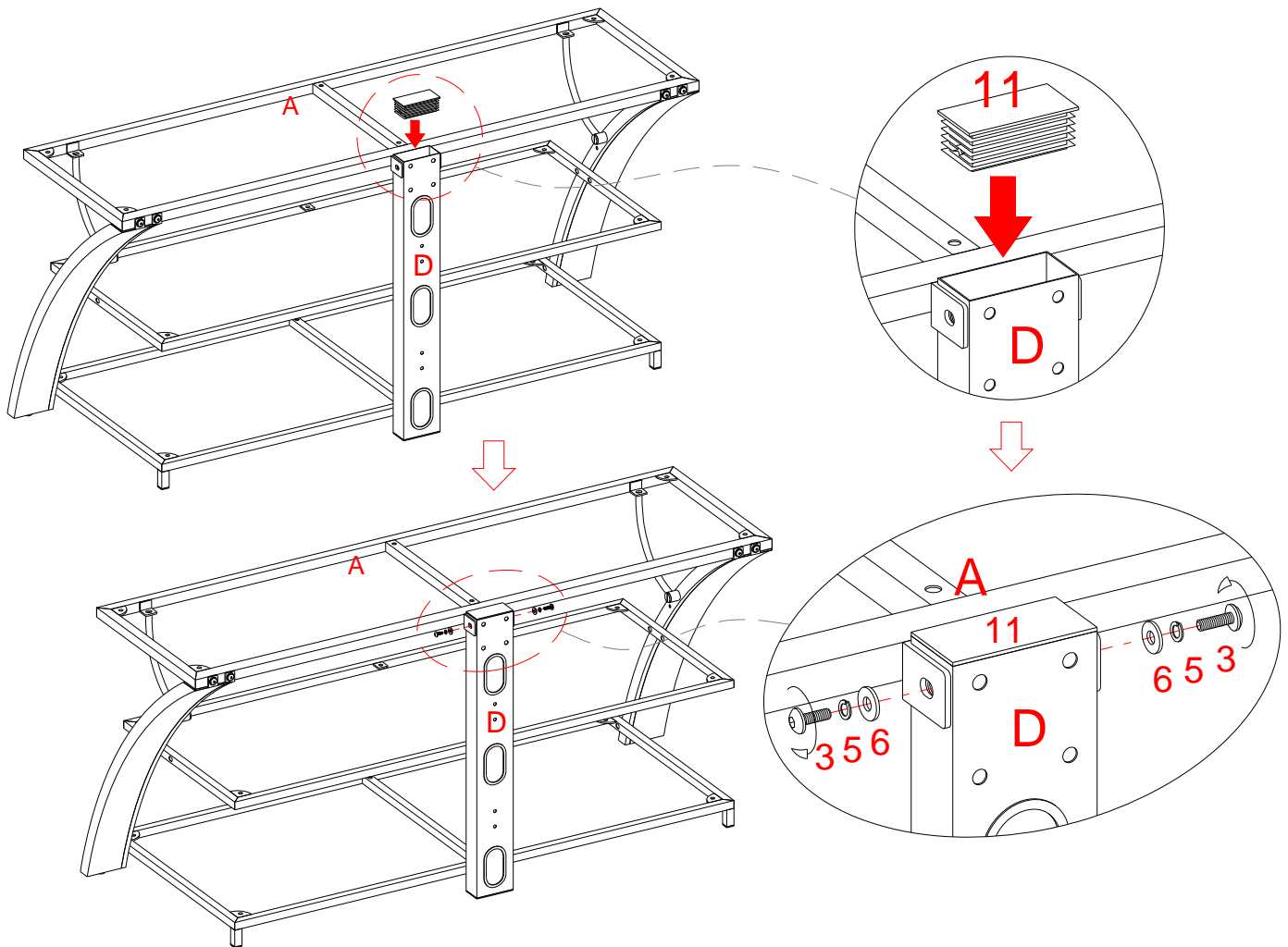


12. At the back side of the Spine Assembly (D), unscrew the four bolts and the washers to remove the Upper Spine. So that you can use the table top console configuration.

NOTE: Keep the Upper Spine and the fasteners at a proper place in case you will use the floating swivel mount.

Please call for replacement parts or assistance: 1-866-942-5362

Assembly Instructions for Table-top Console

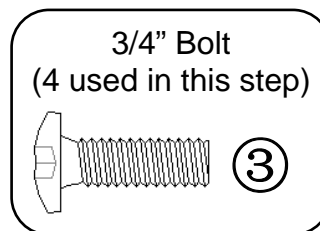
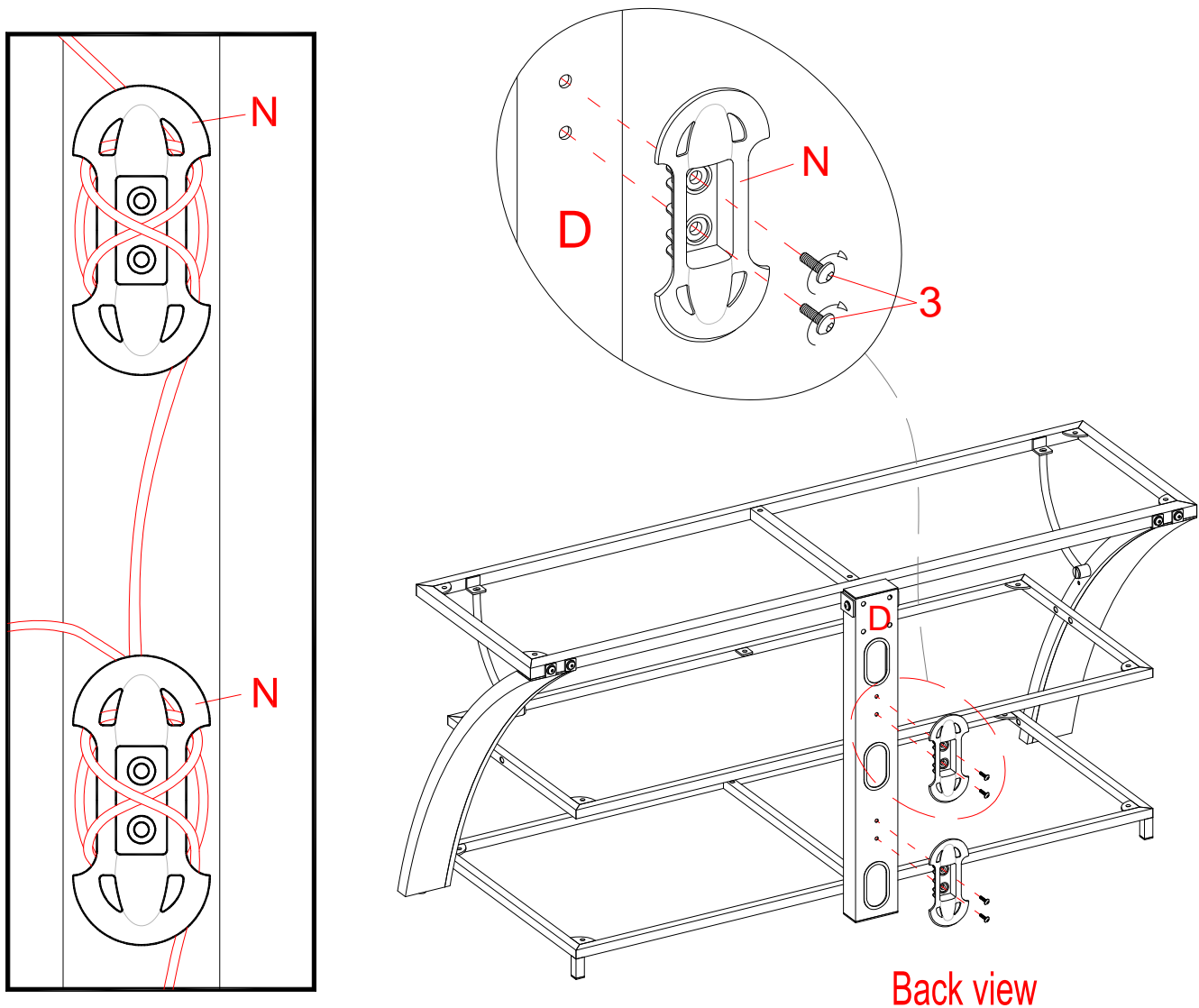


13. Plug the Spine End Cap (11) all the way into the top of the Lower Spine (D).

14. Secure the Top Shelf Frame (A) to the Lower Spine (D) by inserting two 3/4" Bolts (3) with the Washers (5 and 6) through the bracket holes and securely screw into the Spine End Cap (11). As shown.

Please call for replacement parts or assistance: 1-866-942-5362

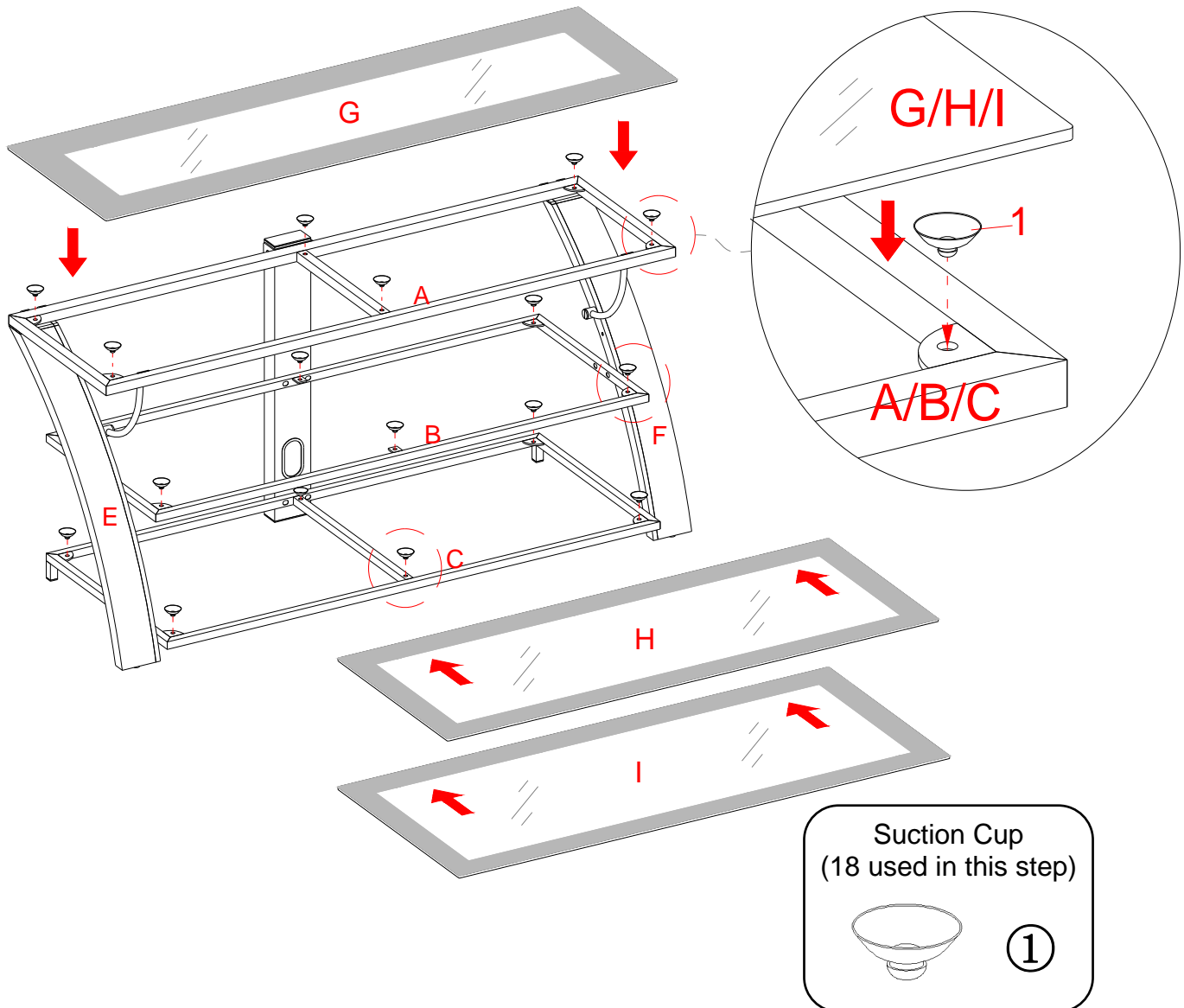
Assembly Instructions for Table-top Console



15. Attach 2 Cable Wheels (N) to the backside of the Lower Spine (D) with the 3/4" Bolts (3). Tighten the bolts with the provided Allen wrench.
16. The Cable Wheels (N) enable you to shorten, separate and route cables and cords. Using the Cable Wheels, you can create a system for routing cables through channels, between components and to power sources without tangled mess or annoying signal interference.

Please call for replacement parts or assistance: 1-866-942-5362

Assembly Instructions for Table-top Console



17. Put the Suction Cups (1) firmly into the top holes and inside corner plates on 3 Shelf Frames (A, B and C), as shown.

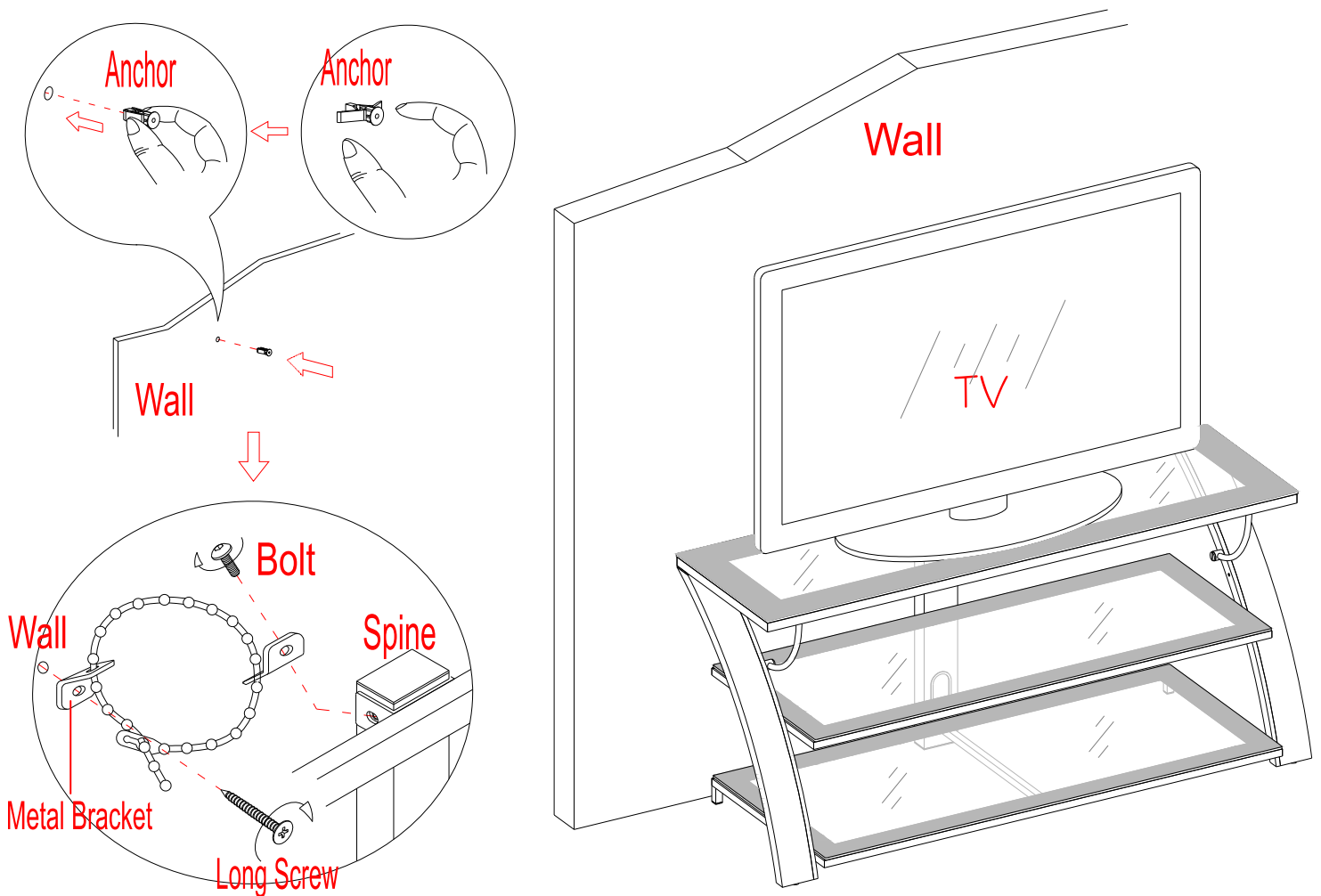
TIP: If a Suction Cup resists insertion, try pressing down on the middle of the cup with the Allen Wrench while twisting it clockwise into the hole.

18. Place the Top Glass (G) and Glass Shelves (H and I) in place beginning with the Bottom Glass Shelf (I), as shown above. Make sure that the glass shelf is properly centered. Push each glass shelf all the way back against the Spine. Also, be sure to press down evenly and firmly each glass shelf onto the Suction Cups to make sure they securely rest onto the Suction Cups.

NOTE: If a glass shelf is scratched, you can minimize the damage by using a BLACK marker and filling in scratched area from underneath.

Please call for replacement parts or assistance: 1-866-942-5362

Assembly Instructions for Table-top Console



Tools required: Allen wrench (provided), Phillips screwdriver, Mallet, Power Drill, and 3/8" Drill Bit (not provided)

19. Position the assembled console at the desired location against a wall. Now, follow the instructions printed on the plastic bag containing the Tipping Restraint Hardware to attach the tip-over restraint to the Spine and the wall.

NOTE: YOU MUST USE THIS TIPPING RESTRAINT TO ATTACH THIS UNIT TO THE WALL, TO PREVENT THE UNIT FROM TIPPING, CAUSING ACCIDENTS AND/OR INJURIES.

20. The console is now ready for use. Be sure to position your Flat Panel TV in the center of the console.

NOTE: If you choose the Wall Mount configuration, proceed to PAGE 22.

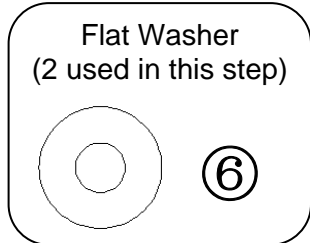
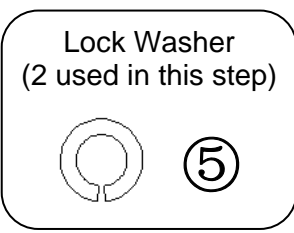
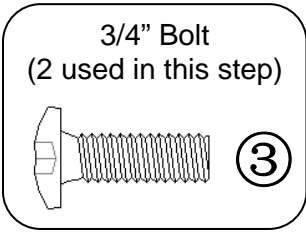
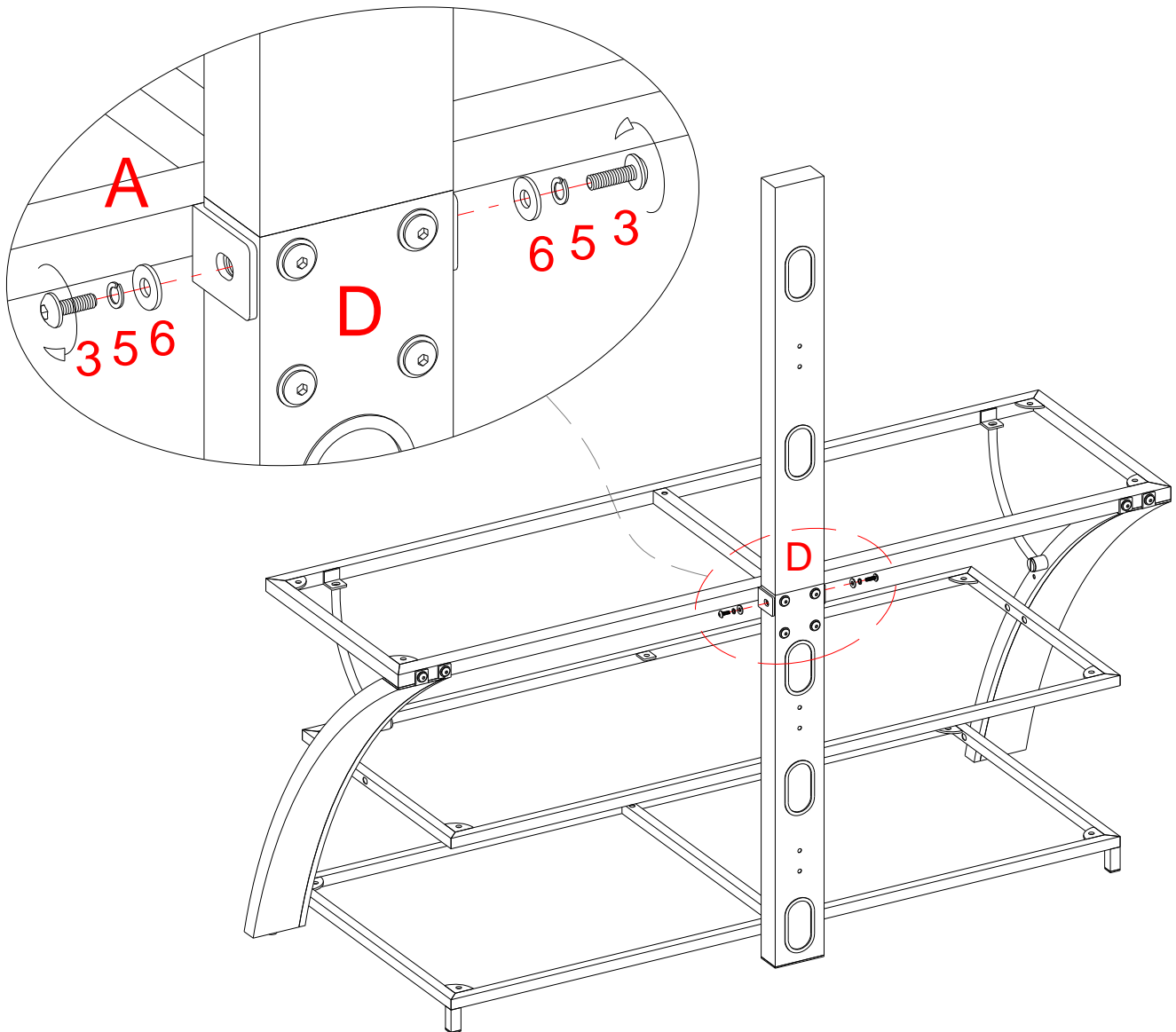
Please call for replacement parts or assistance: 1-866-942-5362

VAS®

Page 14

Factory No. 16434

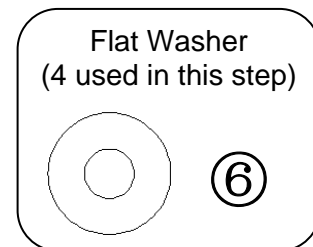
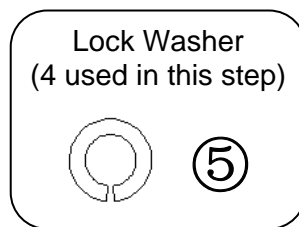
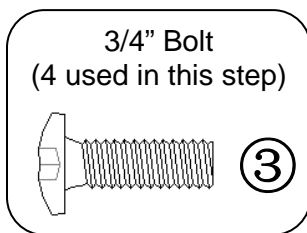
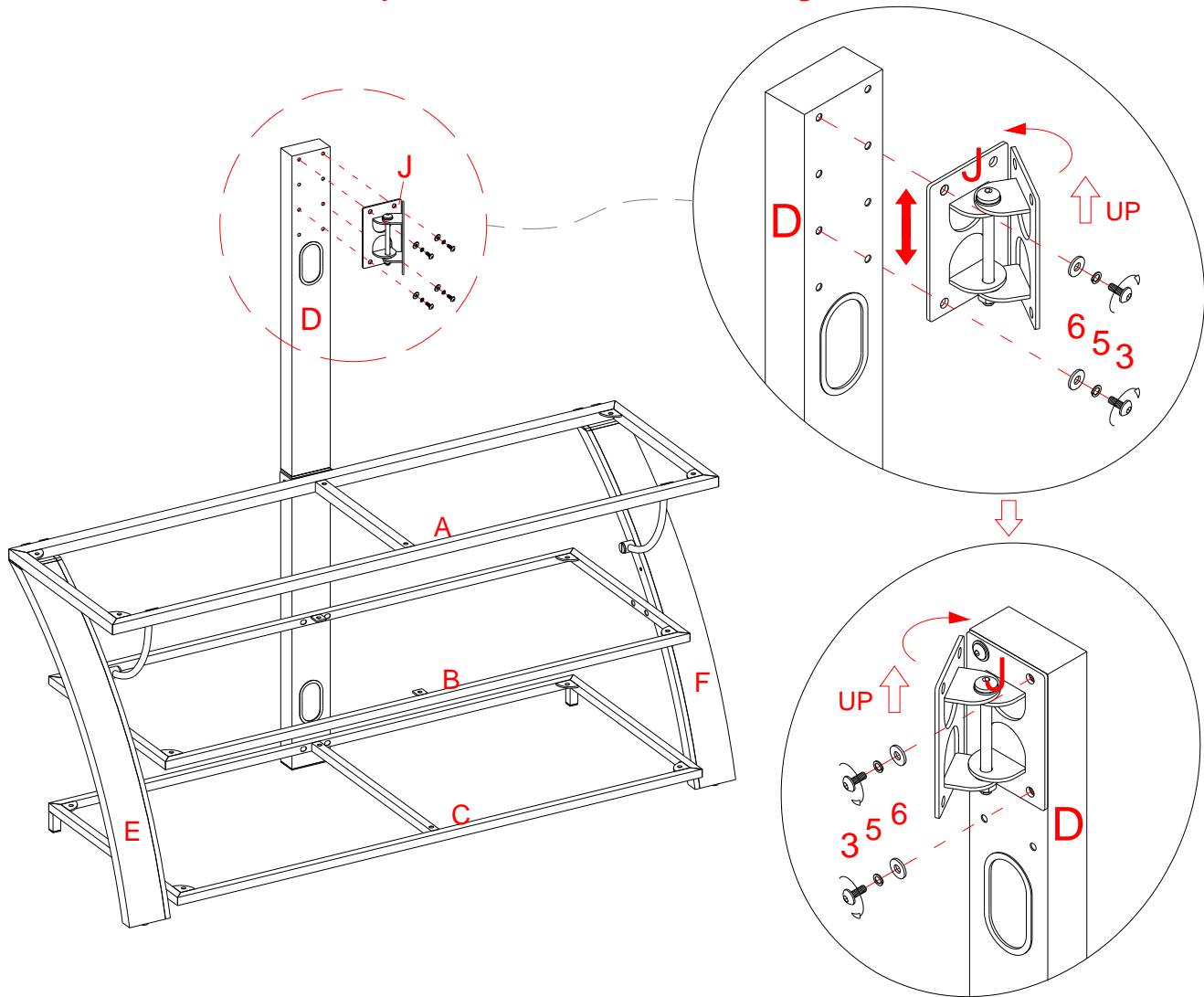
Assembly Instructions for Floating Swivel Mount



21. Secure the Top Shelf Frame (A) to the Spine Assembly (D) by using two 3/4" Bolts (3) with the Washers (5 and 6), as shown above.

Please call for replacement parts or assistance: 1-866-942-5362

Assembly Instructions for Floating Swivel Mount



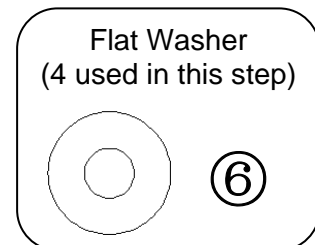
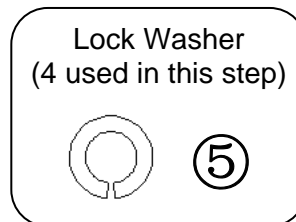
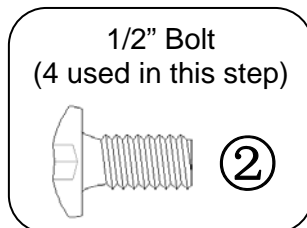
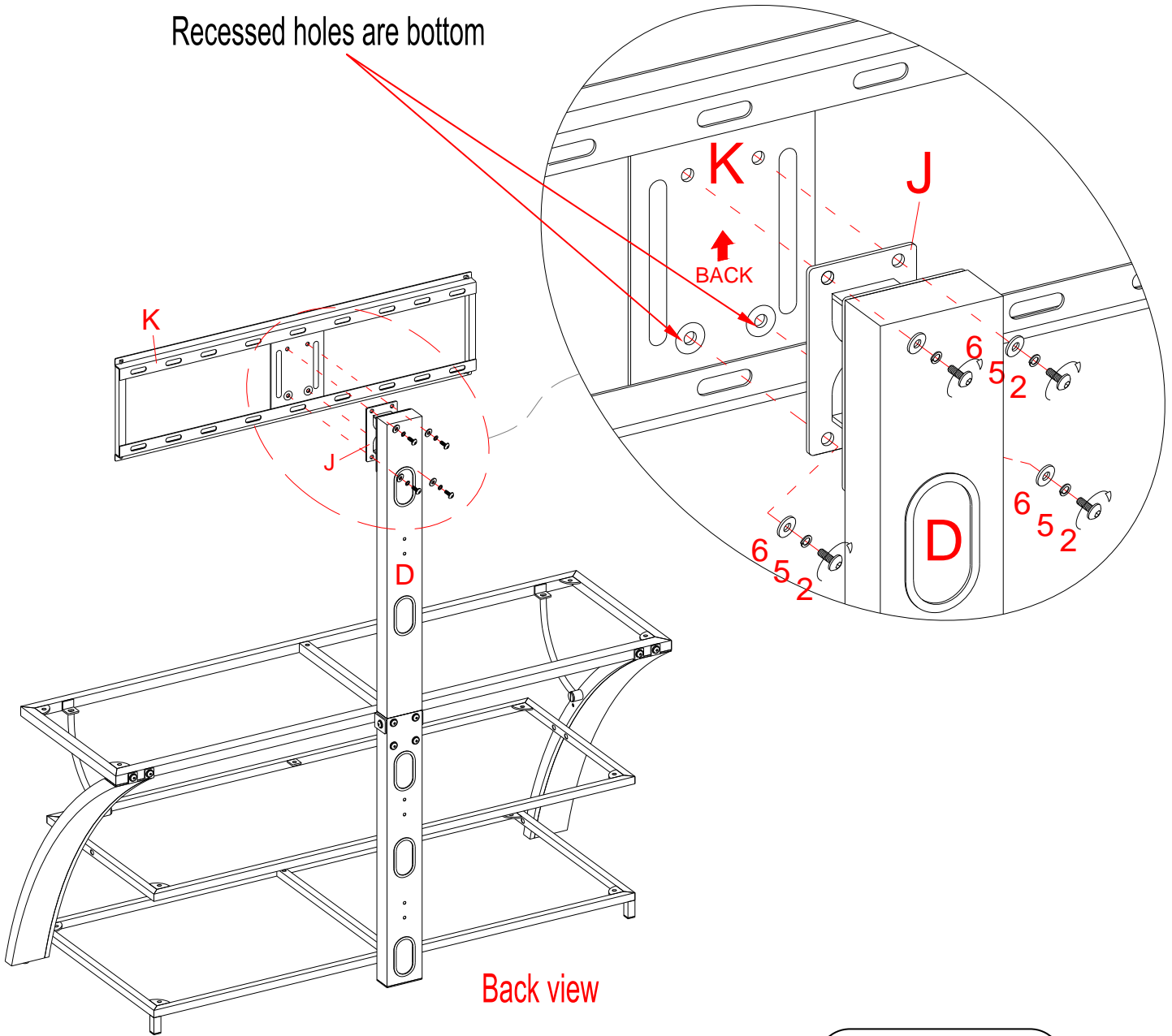
22. Fasten the Swiveling Bracket (J) to the top of the Spine (D) with four 3/4" Bolts (3) and the Washers (5 and 6). Turn the Swiveling Bracket against the Spine (D) when tightening the bolts with the enclosed Allen wrench. Make sure that the pivoting bolt head faces up.

NOTE: The Spine can provide two height options for the TV set. Refer to your TV size and adjust the Swiveling Bracket to the desired height for optimum viewing.

Please call for replacement parts or assistance: 1-866-942-5362

Assembly Instructions for Floating Swivel Mount

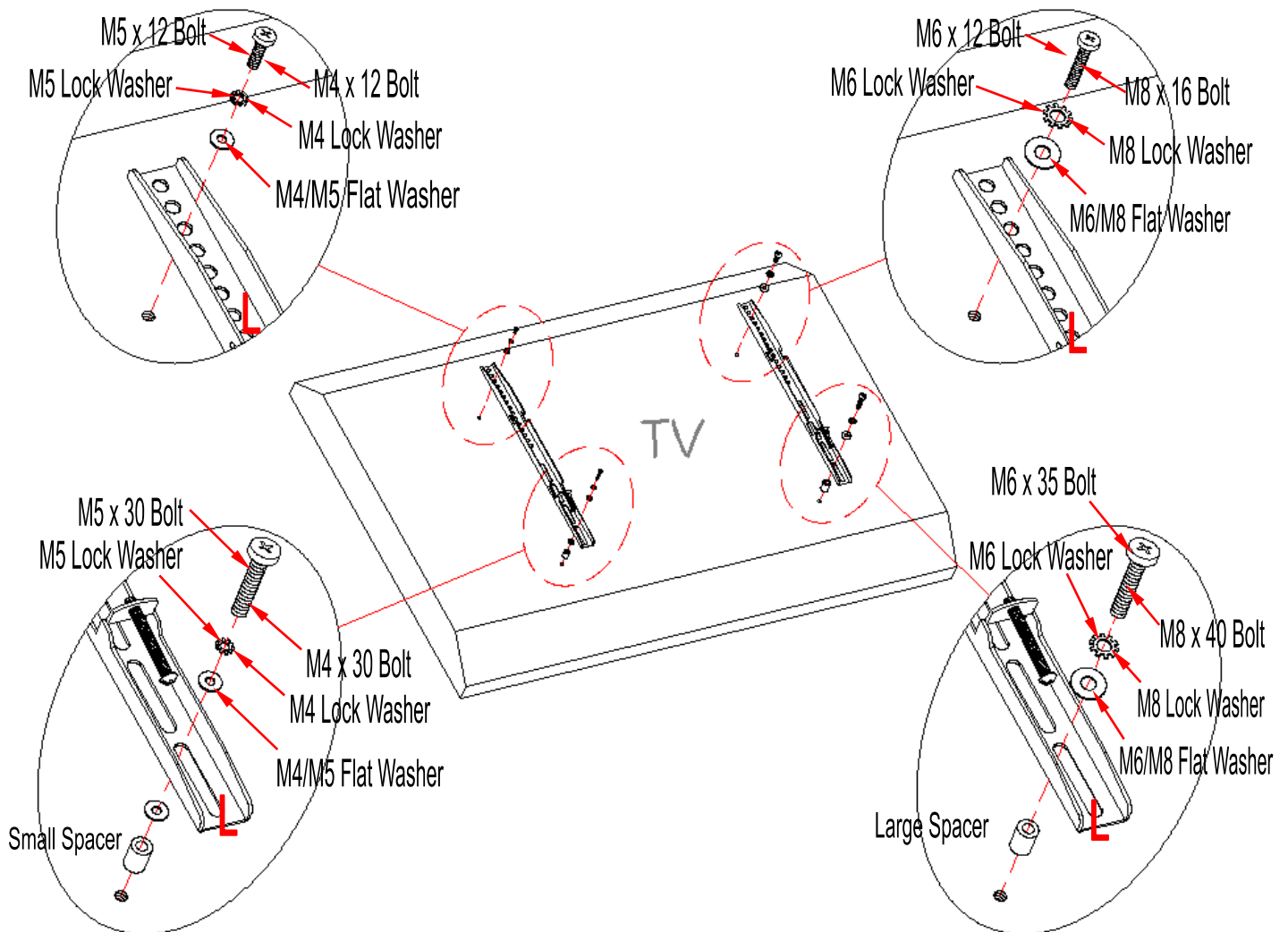
Recessed holes are bottom



23. Hold and attach the flat side of the Mounting Frame (K) onto the Swiveling Bracket (J) using four 1/2" Bolts (2) and four Washers (5 and 6). Make sure that the recess holes on the Mounting Frame are at the bottom.

Please call for replacement parts or assistance: 1-866-942-5362

Mounting Monitor Brackets to a Television with a Flat Back



NOTE: For televisions with a curved or recessed back, proceed directly to next page.

24. Determine the correct diameter of the bolt the TV requires by hand threading them into the threaded insert on the back of the TV. If you encounter any resistance, stop immediately. If you are unable to find the correct bolt, consult a local hardware store.

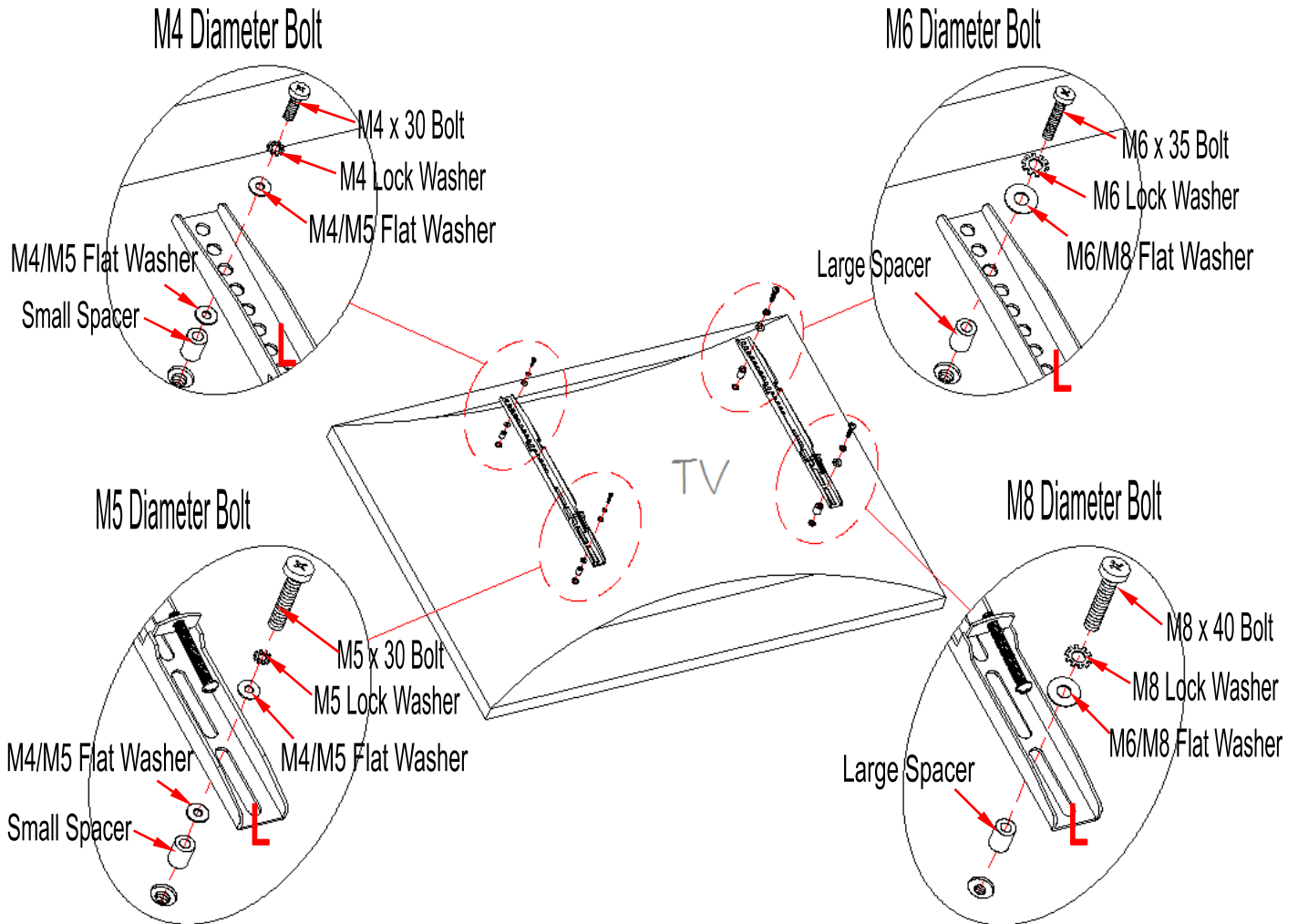
25. Follow the appropriate diagram above to attach the Monitor Brackets (L) to the back of the TV with the selected fasteners. Make sure the Monitor Brackets are centered and level with each other. Secure the bolts with a Phillips Screwdriver. DO NOT over tighten the bolts.

NOTE: Lean the TV up against a wall or other solid surface when attaching the Monitor Brackets. DO NOT place the TV face down on the glass as this may cause permanent damage.

NOTE: If mounting your TV in the Wall Mount configuration, once you have completed the installation of the monitor brackets, proceed to PAGE 22.

Please call for replacement parts or assistance: 1-866-942-5362

Mounting Monitor Brackets to a Television with a Curved/Recess Back



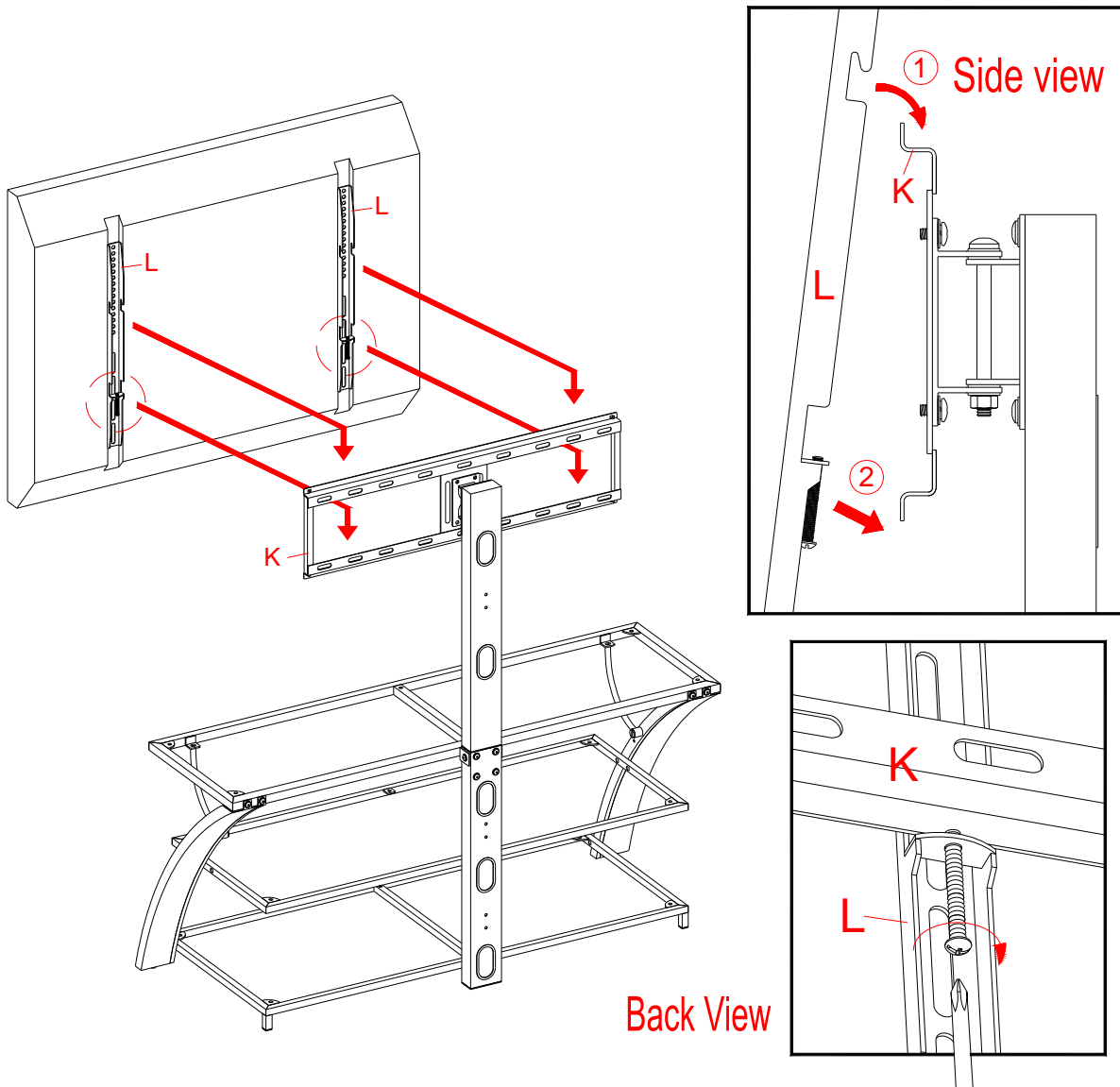
26. Determine the correct diameter of the bolt the TV requires by hand threading them into the threaded insert on the back of the TV. If you encounter any resistance, stop immediately. If you are unable to find the correct bolt consult a local hardware store.

27. Follow the appropriate diagram above to attach the Monitor Brackets (L) to the back of the TV with the selected fasteners. Make sure the Monitor Brackets are vertically centered and level with each other. Secure the bolts with a Phillips Screwdriver. DO NOT over tighten the bolts.

NOTE: Lean the TV up against a wall or other solid surface when attaching the Monitor Brackets. DO NOT place the TV face down on the glass as this may cause permanent damage.

NOTE: If mounting your TV in the Wall Mount configuration, once you have completed the installation of the monitor brackets, proceed to PAGE 22.

Assembly Instructions for Floating Swivel Mount



MAKE SURE ALL BOLTS ARE TIGHT AND THE SPINE IS AT A 90 DEGREE ANGLE AND USE A QUALITY LEVEL TO VERIFY THE MOUNTING FRAME IS LEVEL PRIOR TO INSTALLATION OF TV.

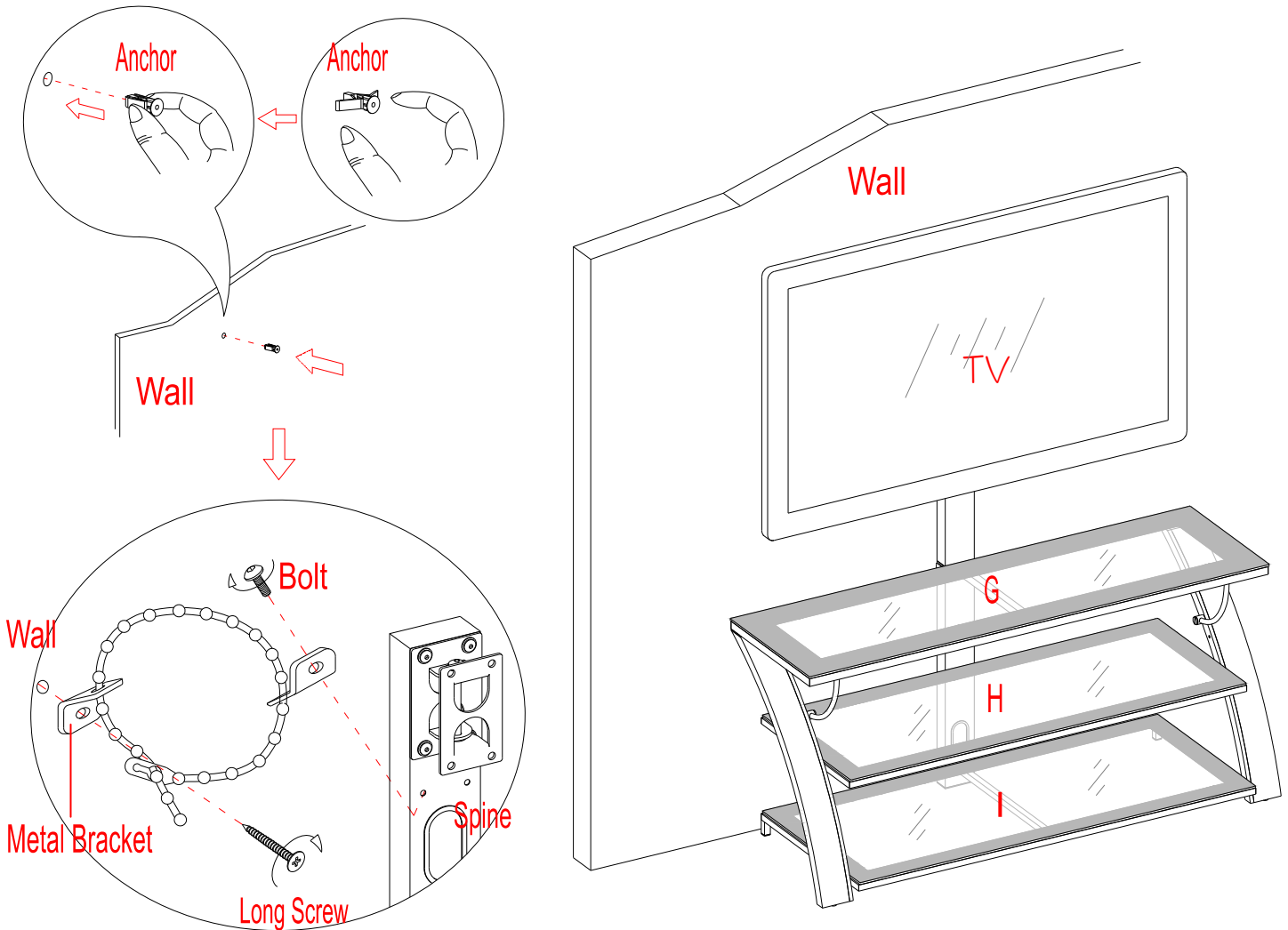
28. Once the Monitor Brackets (L) are attached onto the back of television, ask for assistance to lift the television up to hang the Monitor Brackets (L) onto the Mounting Frame (K). Set the hooks on the Monitor Brackets over the Mounting Frame and then lower them onto the bars of the Mounting Frame.

NOTE: Loosen the Lock Bolt that is pre-attached to the Monitor Brackets to ensure an easy fit at the bottom hooks.

29. Center the television and tighten both Lock Bolts with a long Phillips screwdriver until they hit the underside of the Mounting Frame (K) to ensure your TV is safe and secure.

Please call for replacement parts or assistance: 1-866-942-5362

Assembly Instructions for Floating Swivel Mount



Tools required: Allen wrench (provided), Phillips screwdriver, Mallet, Power Drill, and 3/8" Drill Bit (not provided).

30. Repeat steps 15 through 18 to attach the Cable Wheels (N) and install the Top Glass (G) and Glass Shelves (H and I) in place.

31. Carefully move the console and position it at the desired location against a wall. Now, follow the instructions printed on the plastic bag containing Tipping Restraint Hardware Kit to mount the tip-over restraint to the Spine (D) and the wall.

NOTE: You must install the Tipping Restraint Hardware with the unit in use to prevent any accidents or damage to the unit.

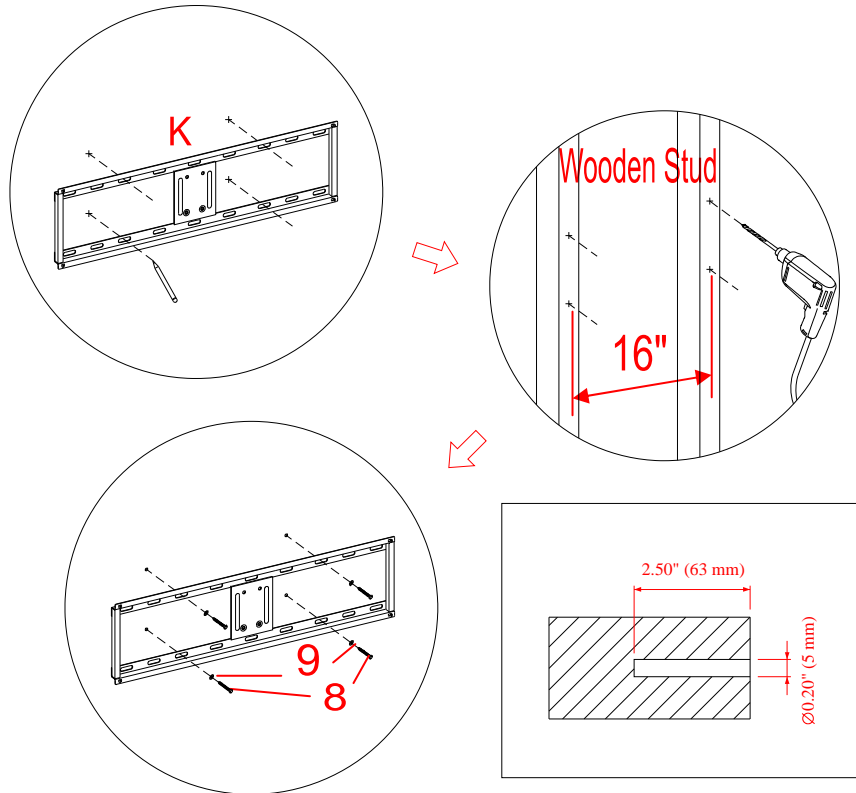
32. The console is now ready for use. Swivel the TV left-or-right for optimum viewing control.

Please call for replacement parts or assistance: 1-866-942-5362

STOP

The following steps are only for those who wish to mount their TV directly to the wall. If you have already mounted your TV to the Swinging Floater or plan to display your TV on the top surface of the stand, disregard the following steps.

Assembly Instructions for Universal Wall Mount Installing the Mounting Frame onto a WOODEN STUD WALL



NOTE: If you are mounting your TV onto brick, solid concrete or concrete block, skip this section. This assembly requires an electric drill, level and stud finder (not included).

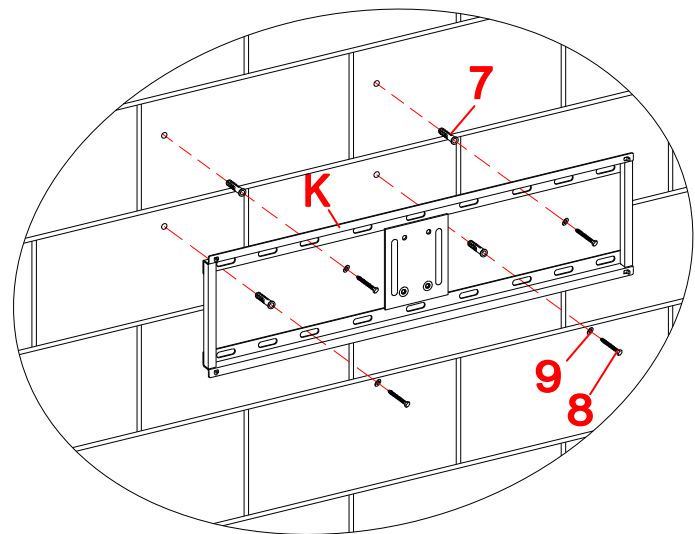
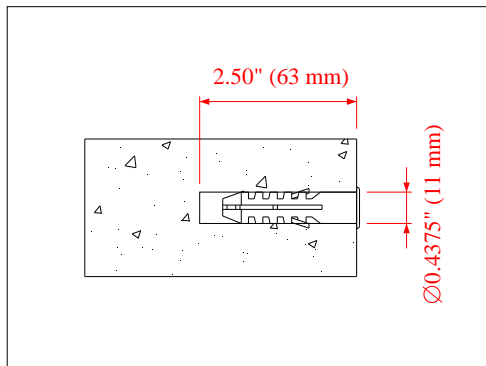
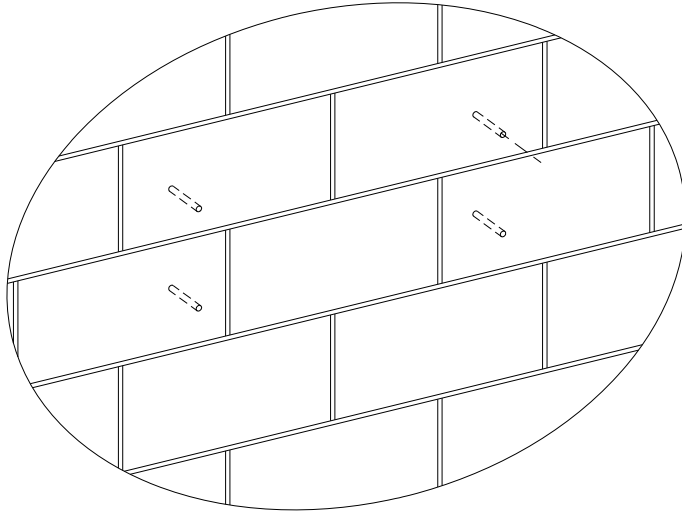
33. Using a stud finder, locate the edges of the wood studs. Find the center line of each stud and draw a vertical reference line on the wall over each one. Place the Mounting Frame (K) level against the wall where you intend to mount the TV. Using the Mounting Frame (K) as a template, mark 4 drill points (2 on top, 2 on bottom) with a pencil on the vertical reference lines you just drew.
34. With an electric drill (not included) drill 3/16 inch diameter holes to at least 2½ inch deep on the four drill points. While holding the Bracket Plate in place, loosely screw in the Lag Bolts (8).
35. Secure the Mounting Frame (K) to wall with the Lag Bolts (8) and the Washers (9) at the drill points. Tighten the bolts firmly, but be careful not to over tighten.

⚠ WARNING

Do not over tighten the Lag Bolts. Tighten Lag Bolts only until the Lag Bolt Washer is pulled firmly against the metal plate of Mounting Frame. If there is a layer of drywall or other material, this drywall or other material may not exceed 5/8 inch in thickness. Failure to heed this caution may result property damage and/or personal injury.

Please call for replacement parts or assistance: 1-866-942-5362

Assembly Instruction for installing the Mounting Frame onto a BRICK, SOLID CONCRETE OR CONCRETE BLOCK WALL



⚠ WARNING Maximum weight 135 lb. (61.2 kg)

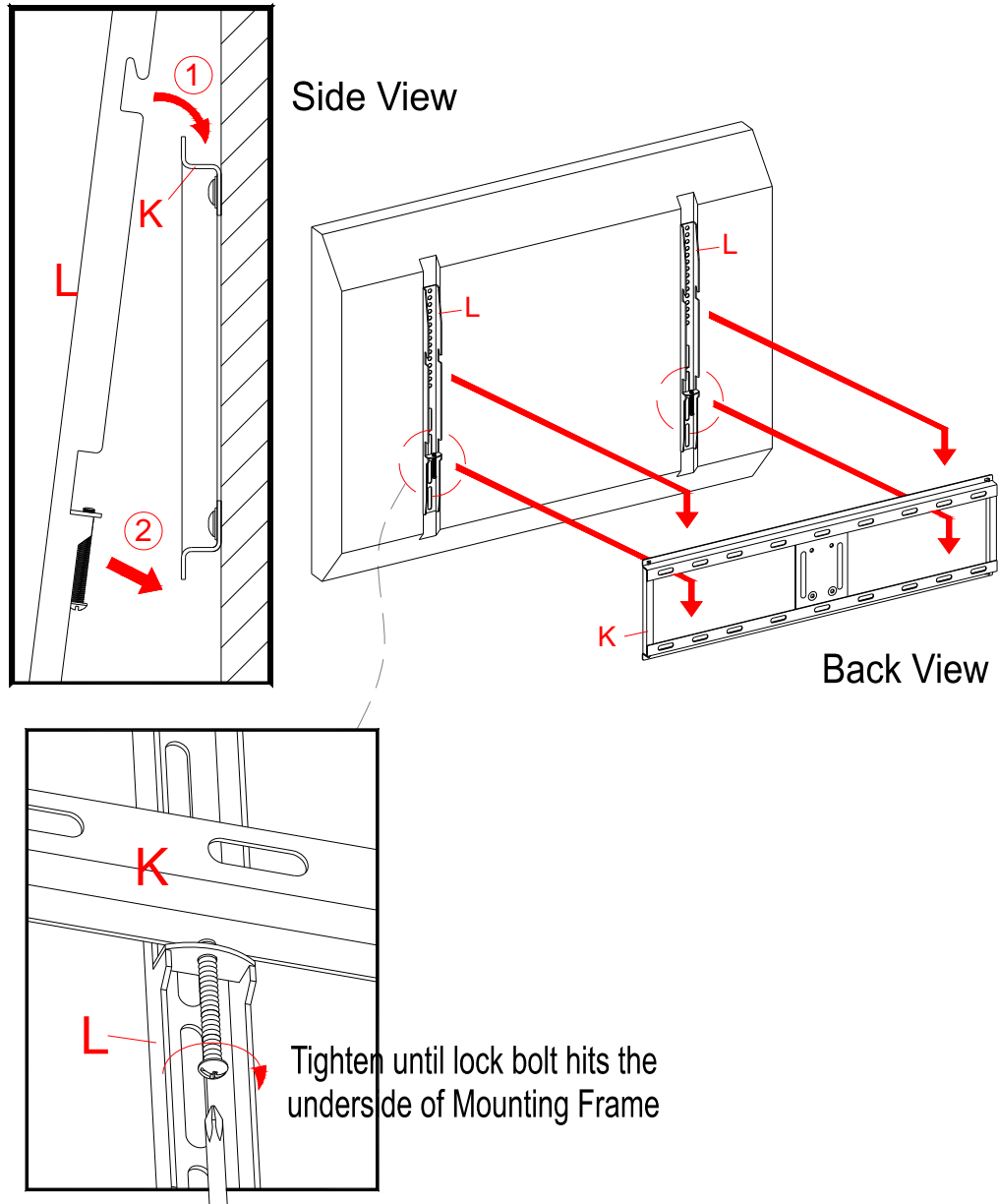
⚠ WARNING Concrete Anchors should only be used for masonry mounting. NEVER use the wall anchors to mount the unit to drywall.

NOTE: If you are mounting your TV to a wall with wooden studs, skip this section. This assembly requires an electric drill and level (not included).

36. Begin by placing the Mounting Frame (K) level against the wall where you intend to mount the TV. Using the Mounting Frame (K) as a template, mark 4 drill points with a pencil.
37. With an electric drill (not included) on its low setting, drill 7/16 inch diameter holes to at least 2½ inch (63 mm) deep. Insert the Concrete Anchors (7) into the pre-drilled holes so that they are flush with the wall.
38. Place the Mounting Frame (K) level in the desired position against the wall. Secure the Mounting Frame (K) to wall with the Lag Bolts (8) and the Washers (9) at the drill points. Tighten the bolts firmly, but be careful not to over tighten.

Please call for replacement parts or assistance: 1-866-942-5362

Assembly Instructions



39. Attach the Monitor Brackets (L) to the back of the television following steps 24 & 25, or 26 & 27, depending on the type of TV that you own.
40. Ask for assistance to lift the television up to attach the Monitor Brackets (L) onto the Mounting Frame (N). Place the hooks of the Monitor Brackets (L) over the Mounting Frame (K) and then lower them onto the bars of the Mounting Frame. Loosen the lock bolts that are pre-attached on the Monitor Brackets to ensure an easy fit at the bottom hooks. Proceed to center the television. When the TV is in its intended position, tighten both lock bolts with a long Phillips screwdriver until they hit the underside of the Mounting Frame (K). This will ensure the TV is safely secured to the wall.
41. Place the assembled console under your TV. Finally, connect the A/V and power cables to your TV. You are now ready to enjoy your wall-mounted Flat Panel TV.

Please call for replacement parts or assistance: 1-866-942-5362

Care and Maintenance

- For everyday cleaning, chrome, brass, aluminum, and painted metal surfaces can be kept looking their best by wiping with a slightly damp, soft cotton cloth, or vacuum cleaner brush.
- If soiled, wipe with clean sponge or cloth wrung out of water. Wipe dry with cloth or paper towel to avoid water spots.
- Do not use any harsh abrasives or chemicals to clean any metal surfaces as it may damage the protective coating.
- Metal will rust if the finish is scratched or if your furniture is exposed to excessive humidity, particularly in salt water locations.
- Most metal furniture has a protective coating to prevent rust, however rust may occur if the finish is marred or wears away over time.
- Stains or marks from crayons or ink markers will be difficult to remove.
- In the event that your furniture is stained or otherwise damaged during use, we recommend that you call a professional to repair your furniture.
- Check bolts/screws periodically and tighten them if necessary.

Further advice about metal furniture care

It is best to keep your furniture in a climate-controlled environment. Continual exposure to damp and wet environment can cause corrosion. It is advised to keep furniture away from direct sunlight as it may damage the finish. Indoor furniture is not recommended for outdoor use.

Proper care and cleaning at home will extend the life of your purchase. Following these important and helpful tips will enhance your furniture as it ages.

We hope you enjoy your purchase for many years.
Thank you for your purchase!

QUALITY GUARANTEE

We are confident that you will be delighted with your VAS[®] purchase.

Should this product be defective in workmanship or materials or fail under normal use, we will repair or replace it for up to one (1) year from date of purchase. Every Whalen Furniture product is designed to meet your highest expectations. We guarantee that you will immediately see the value of our fine furniture.

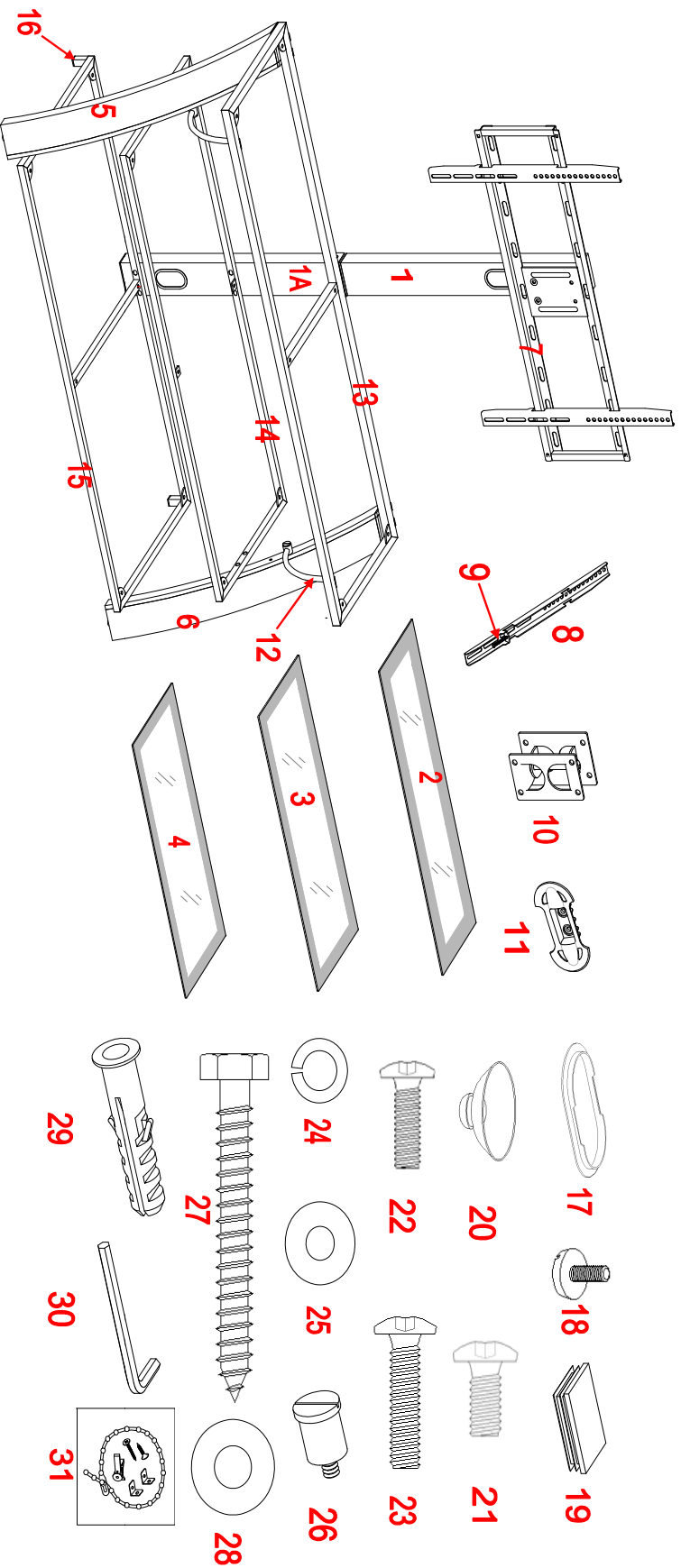
This warranty gives you specific legal rights and you may also have other rights which vary from province to province (state to state).

Customer Service: 1-866-942-5362
8:30 a.m. - 4:30 p.m., PST, Monday to Friday
www.whalenfurniture.com

Please call for replacement parts or assistance: 1-866-942-5362

IF YOU NEED TO ORDER ANY REPLACEMENT PARTS, PLEASE USE THE LIST BELOW

3-in-1™ TV STAND (XLZEC50-GB)



*XLZEC50-GB-1-US	Upper Spine	*XLZEC50-GB-17-OPG	Oval Plastic Grommet
*XLZEC50-GB-1A-LS	Lower Spine	*XLZEC50-GB-18-FL	Floor Lever
*XLZEC50-GB-2-TG	Top Glass	*XLZEC50-GB-19-SEC	Spine End Cap
*XLZEC50-GB-3-MGS	Middle Glass Shelf	*XLZEC50-GB-20-SC	Suction Cup
*XLZEC50-GB-4-BGS	Bottom Glass Shelf	*XLZEC50-GB-21-1/2B	1/2" Bolt
*XLZEC50-GB-5-LL	Left Leg	*XLZEC50-GB-22-3/4B	3/4" Bolt
*XLZEC50-GB-6-RL	Right Leg	*XLZEC50-GB-23-1B	1" Bolt
*XLZEC50-GB-7-MF	Mounting Frame	*XLZEC50-GB-24-LW	Lock Washer
*XLZEC50-GB-8-MB	Monitor Bracket	*XLZEC50-GB-25-FW	Flat Washer
*XLZEC50-GB-9-LB	Lock Bolt	*XLZEC50-GB-26-CB	Cap Bolt
*XLZEC50-GB-10-SB	Swiveling Bracket	*XLZEC50-GB-27-2 1/2LB	2-1/2" Lag Bolt
*XLZEC50-GB-11-CW	Cable Wheel	*XLZEC50-GB-28-LFW	Large Flat Washer
*XLZEC50-GB-12-TSS	Top Shelf Support	*XLZEC50-GB-29-CA	Concrete Anchor
*XLZEC50-GB-13-TSF	Top Shelf Frame	*XLZEC50-GB-30-M4AW	4 mm Allen Wrench
*XLZEC50-GB-14-MSF	Middle Shelf Frame	*XLZEC50-GB-31-TRHK	Tipping Restraint Hardware Kit
*XLZEC50-GB-15-BSF	Bottom Shelf Frame	*XLZEC50-GB-TVMK	TV Mounting Kit
*XLZEC50-GB-16-SPEC	Square Plastic End Cap (16x16 mm)	*XLZEC50-GB-CH	Complete Hardware